

SPECIFICATION FOR APPROVAL

<p>CUSTOMER'S APPROVAL CHOP</p> <p>Approval's condition: _____</p> <p>Approved date: _____</p>
--

KINDLY RETURN A SET WITH YOUR COMPANY'S OFFICIAL
STAMP ON APPROVAL OF THIS ITEM

CUSTOMER'S NAME: _____

CUSTOMER'S MODEL NO. : _____

CUSTOMER'S PART NO. : _____

DESCRIPTION: _____
EP7

Semitel'S MODEL NO. : _____
EP7-469

VERSION: _____
A

DATE: _____
2018/7/16

Attachments:

- Product specification
- Sample Qty.:
- Test data

Prepared By	Checked By	Approved By
Hebe Deng 2018/7/16	Liang Wong 2018/7/16	Alan Wong 2018/7/16

Semitel International Ltd.,	TEL: 886-2-86922121 FAX: 886-2-26483379
www.semitelint.com	12F, No.183, Sec.1, Datong Rd., Xizhi Dist., New Taipei City 22145, Taiwan

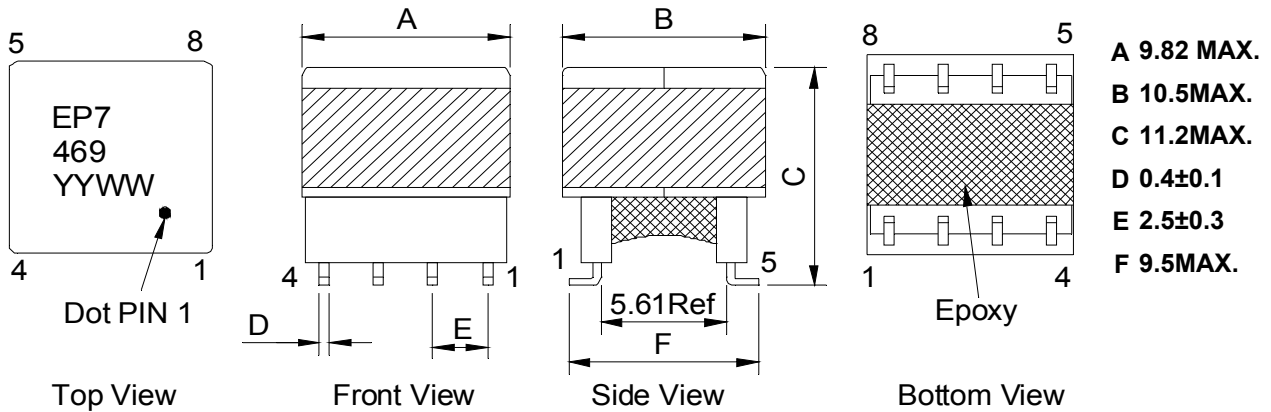
Revision Record

Version	Revision Date	Revision For Items	Revision For Items
A	2018-7-16	New Revision	-

Semitel'S MODEL NO. :	EP7-469	CUSTOMER'S MODEL NO. :	
VERSION:	A	CUSTOMER'S PART NO. :	
DATE:	2018/7/16		

Product Specification

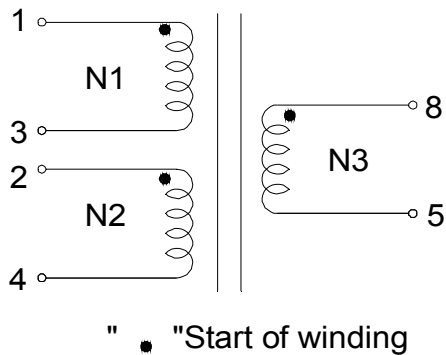
1. Physical Dimensions (Unit:mm)



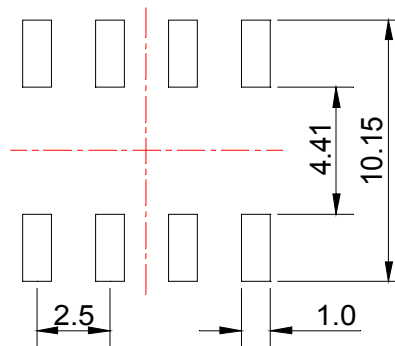
Notes:

- *Marking type is laser printing , Dot indicates the location of pin#1.
- *YY: Year Code; WW: Week Code
- *Size F not including soldering tags
- *Coplanarity Requirement: Less than 0.13mm

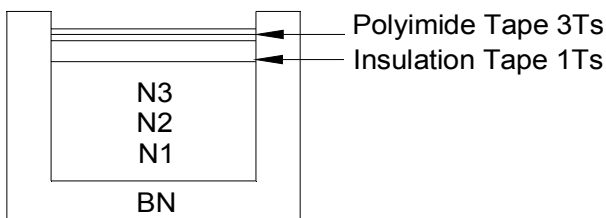
2. Connection



3.Recommended Pad Layout (Unit:mm)



4.Structure of Products



Semitel'S MODEL NO. :	EP7-469	CUSTOMER'S MODEL NO. :	
VERSION:	A	CUSTOMER'S PART NO. :	
DATE:	2018/7/16		

Product Specification

6. Electrical Characteristics

*Electrical specifications @ 25°C unless otherwise noted

*Operating temperature range: -40°C~+85°C

Items	Winding	Specifications	Test Conditions
Inductance	L(1-4) Tie (2-3)	245uH+18%/-12%	at 10kHz,0.1Vrms
LK-Inductance	LK(1-4) Tie (2-3,8-5)	0.70uH MAX.	at 100kHz,0.1Vrms
DCR	R(1-4) Tie (2-3)	2.8Ω MAX.	at 25°C
	R(8-5)	1.0Ω MAX.	
Turn Ratio	(1-4):(8-5) Tie(2-3)	2:1;±2%	at 100kHz,0.1Vrms
Interwinding Capacitance	1-8 Tie(1-2-3-4,8-5)	65pF MAX.	at 100kHz,0.1Vrms
THD	(1-4):(8-5) Tie(2-3)	-79dB MAX.	at 30kHz,3.162Vrms
Hi-Pot	PRI. To Sec.	1875VAC	1mA.2SEC

7. Bill of Material

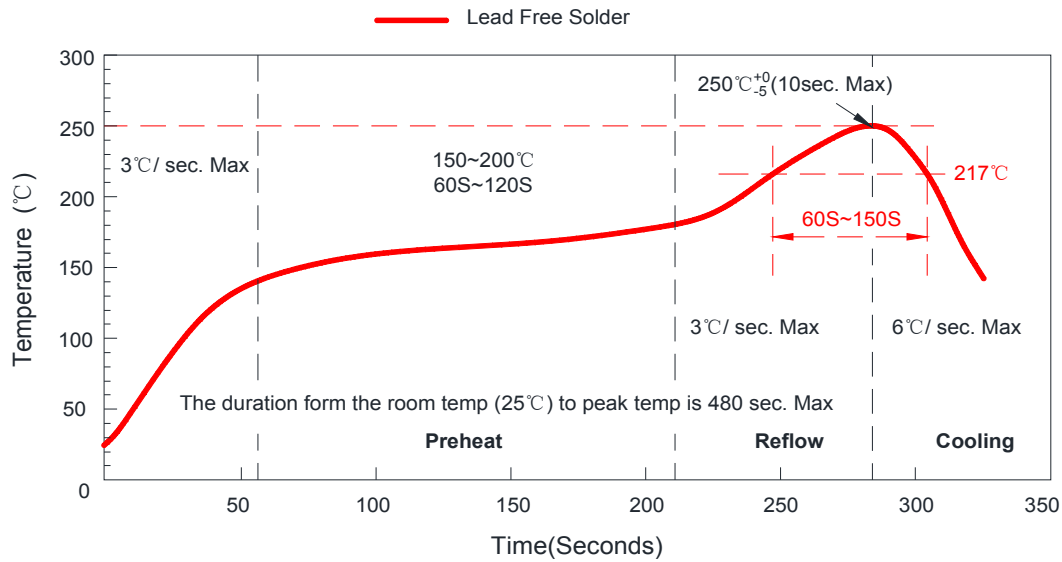
No	Item	Material Name	Manufacturer	Rating	UL File No	SGS File No
1	Core	Ferrite core A101	ACME or Equivalent		NIL	CE/2017/A2987B
OR	Core	Ferrite core JCH-10S	FCRI or Equivalent		NIL	CANEC1813462601
2	Bobbin	PM-9630	SUMITOMO or Equivalent	150°C	E41429	SHAEC1802754204
3	Copper Wire	enamelled wire QPN 180	SUNTEK or Equivalent	180°C	E234867	A2180011364102E
4	Wire	Single layer and multilayer insulated wire TIW-FXX	FLUO-TECH or Equivalent	155°C	E488352	CANML1702805201
5	Polyimide Tape	Brown adhesive plastic 0.025mm V-0	RUNSEA (RAYITEK) or Equivalent	130°C	E339977	CANML1708589301
6	EPOXY	HC-620 A/B	SHENGKANGTAI or Equivalent	150°C	E341043	CANEC1802163902
7	Solder	Lead free solder	HONGTAIZHOU or Equivalent	227°C	NIL	CANEC1710839309

Semitel'S MODEL NO. :	EP7-469	CUSTOMER'S MODEL NO. :	
VERSION:	A	CUSTOMER'S PART NO. :	
DATE:	2018/7/16		

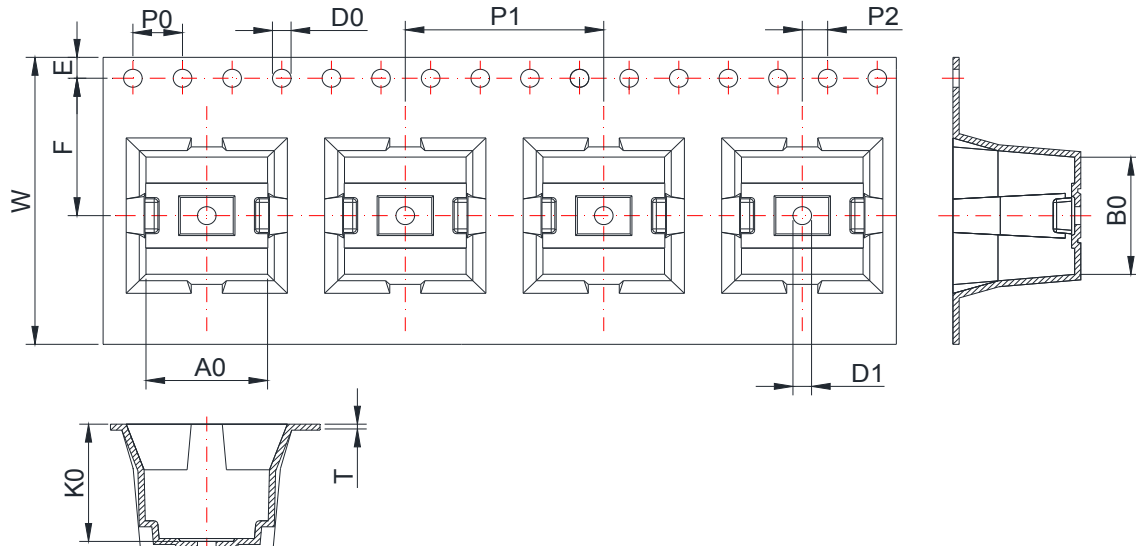
Product Specification

8.Recommended Temperature Conditions of Air Reflow Soldering

Test Solderability Temperature Profile



9.Tape Dimensions (Unit:mm)



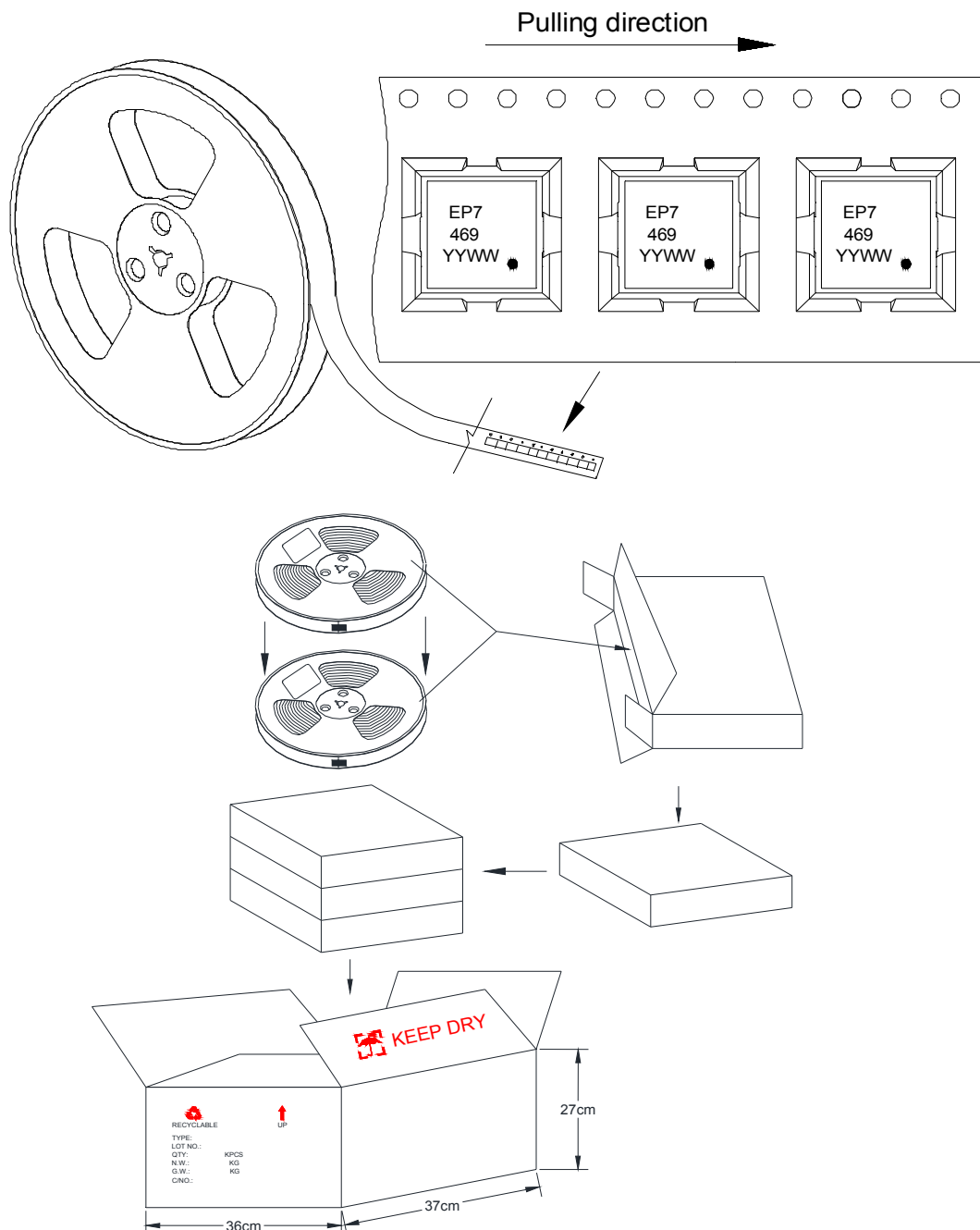
symbol	A0	B0	K0	P0	P1	P2
spec	9.8±0.3	9.5±0.3	10.8±0.3	4±0.1	16.0±0.1	2.0±0.1
symbol	W	T	E	F	D0	D1
spec	24±0.3	0.5±0.05	1.75±0.1	11.5±0.1	∅ 1.5 ^{+0.1} ₀	∅ 1.5 ^{+0.1} ₀

Semitel'S MODEL NO. :	EP7-469	CUSTOMER'S MODEL NO. :	
VERSION:	A	CUSTOMER'S PART NO. :	
DATE:	2018/7/16		

Product Specification

10.Packing Request

- (1).Every roll of the carrier tape can contain 350pcs products.
- (2).Every small packing box contains two rolls of carrier tape. Total quantity: 700pcs.
- (3).Every cartoon box contains 3 small packing boxes.Total quantity: 2100pcs.



Semitel'S MODEL NO. :	EP7-469	CUSTOMER'S MODEL NO. :	
VERSION:	A	CUSTOMER'S PART NO. :	
DATE:	2018/7/16		

Test Report

Test Instruments								
	HP4284A	HP4284A	VR131			SYS2702A	HP4284A	CS2670A
NO	Inductance	LK-Inductance	DCR		Interwinding Capacitance	THD	Turn Raito	Hi-Pot
	at 10KHz, 0.1Vrms	at 100kHz, 0.1Vrms	at 25°C	at 25°C	at 100kHz, 0.1Vrms	at 30kHz, 3.162Vrms	at 100kHz, 0.1Vrms	1mA.2SEC
	L(1-4) Tie (2-3)	LK(1-4) Tie (2-3,8-5)	R(1-4) Tie (2-3)	R(8-5)	1-8 Tie(1-2-3-4,8-5)	(1-4):(8-5) Tie(2-3)	(1-4):(8-5) Tie(2-3)	PRI. To Sec.
	245uH+18%/-12%	0.70uH MAX.	2.8Ω MAX.	1.0Ω MAX.	65pF MAX.	-79dB MAX.	2:1;±2%	1875VAC
1								
2								
3								
4								
5								
MIN.	0.00	0.000	0.000	0.000	0.00	0.00		
MAX.	0.00	0.000	0.000	0.000	0.00	0.00		
AVG.	#DIV/0!	#DIV/0!	#DIV/0!	#DIV/0!	#DIV/0!	#DIV/0!		
Result	Passed	Passed	Passed	Passed	Passed	Passed	Passed	Passed

Overall Dimensions Test

NO	A	B	C	D	E	F		
	9.82 MAX.	10.5MAX.	11.2MAX.	0.4±0.1	2.5±0.3	9.5MAX.		
1								
2								
3								
4								
5								
MIN.	0.00	0.00	0.00	0.00	0.00	0.00		
MAX.	0.00	0.00	0.00	0.00	0.00	0.00		
AVG.	#DIV/0!	#DIV/0!	#DIV/0!	#DIV/0!	#DIV/0!	#DIV/0!		
Result	Passed	Passed	Passed	Passed	Passed	Passed		

Semitel'S MODEL NO. :	EP7-469	CUSTOMER'S MODEL NO. :	
VERSION:	A	CUSTOMER'S PART NO. :	
DATE:	2018/7/16		