

SPECIFICATION FOR APPROVAL

<p>CUSTOMER'S APPROVAL CHOP</p> <p>Approval's condition: _____</p> <p>Approved date: _____</p>

KINDLY RETURN A SET WITH YOUR COMPANY'S OFFICIAL
STAMP ON APPROVAL OF THIS ITEM

CUSTOMER'S NAME: _____

CUSTOMER'S MODEL NO. : _____

CUSTOMER'S PART NO. : _____

DESCRIPTION: _____

ATQ22

Semitel'S MODEL NO. : _____

ATQ22-539

VERSION: _____

B

DATE: _____

2020/5/26

Attachments:

- Product Specification
- Sample Qty. :
- Test Data

Prepared By	Checked By	Approved By
Hebe Deng 2020/5/26	Liang Wong 2020/5/26	Alan Wong 2020/5/26

Semitel International Ltd.,	TEL: 886-2-86922121 FAX: 886-2-26483379
www.semitelint.com	12F, No.183, Sec.1, Datong Rd., Xizhi Dist., New Taipei City 22145, Taiwan

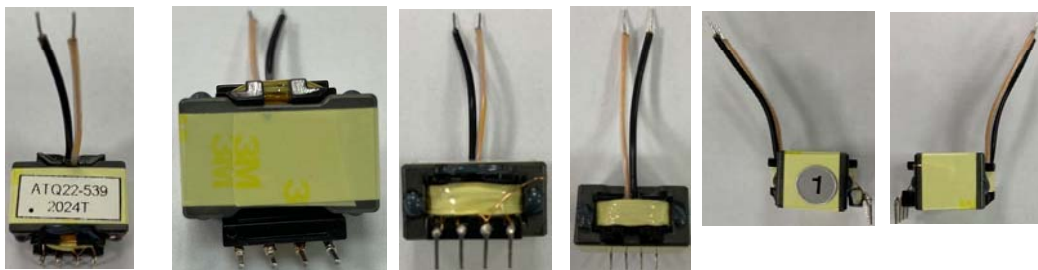
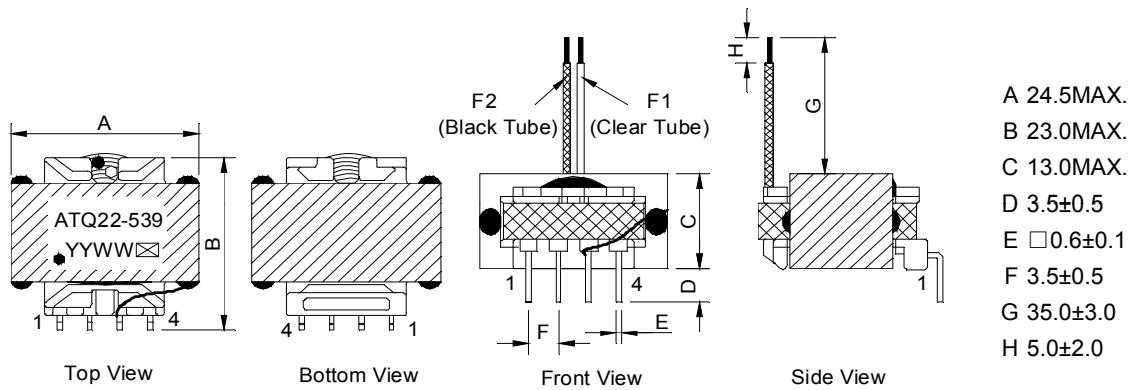
Revision Record

Version	Revision Date	Revision For Items	Reason For Revision
A	2020/4/30	New Revision	-
B	2020/5/26	DCR(F1-F2) change from 250mΩ Max to 40mΩ Max	Customer Request
		Inductance change from 1mH±10% to 1mH±7%	

Semitel'S MODEL NO. :	ATQ22-539	CUSTOMER'S MODEL NO. :	
VERSION:	B	CUSTOMER'S PART NO. :	
DATE:	2020/5/26		

Product Specification

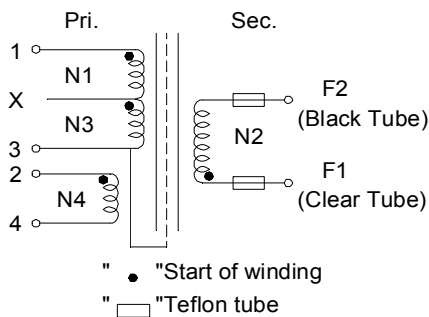
1. Physical Dimensions (Unit:mm)



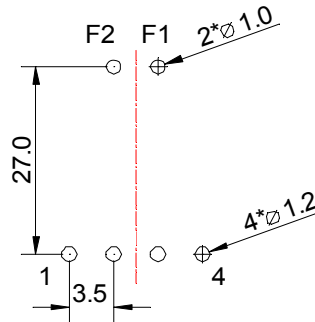
Notes:

- *Marking type is laser printing
- *YY: Year Code; WW: Week Code
- * :When making samples, S is used to represent the product is a sample.
- * :Use different letters or numbers to represent the products are produced from different production lines .
- *Size D not including soldering tags

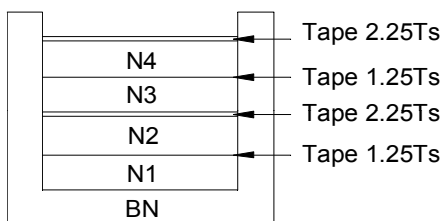
2.Connection



3.Recommended Pad Layout (Unit:mm)



4.Structure of Products



5. No of Turns & Wire Spec

No	No of Pin	Turns	Wire Spec
N1	1 - X	29 TS	∅0.25mm*1P P180
N2	F1 - F2	8 TS	∅0.60mm*1P TIW-F
N3	X - 2	34 TS	∅0.25mm*1P P180
N4	3 - 4	9 TS	∅0.20mm*2P P180

Semitel'S MODEL NO. :	ATQ22-539	CUSTOMER'S MODEL NO. :	
VERSION:	B	CUSTOMER'S PART NO. :	
DATE:	2020/5/26		

Product Specification

6. Electrical Characteristics

Items	Winding	Specifications	Test Conditions
Inductance	L(1-2)	1mH±7% (B)	at 10kHz, 1Vrms
LK-Inductance	LK(1-2) Tie other	30uH MAX.	at 10kHz, 1Vrms
DCR	R(1-2)	1.3Ω MAX.	at 25°C
	R(F1-F2)	40mΩ MAX. (B)	
	R(3-4)	160mΩ MAX.	
Turns Ratio	(1-2):(F1-F2):(3-4)	63:8:9;±3%	at 20kHz, 1Vrms
Hi-Pot	Pri. to Sec.	3000VAC	5mA, 3Sec
	Win. to Core	500VAC	5mA, 3Sec

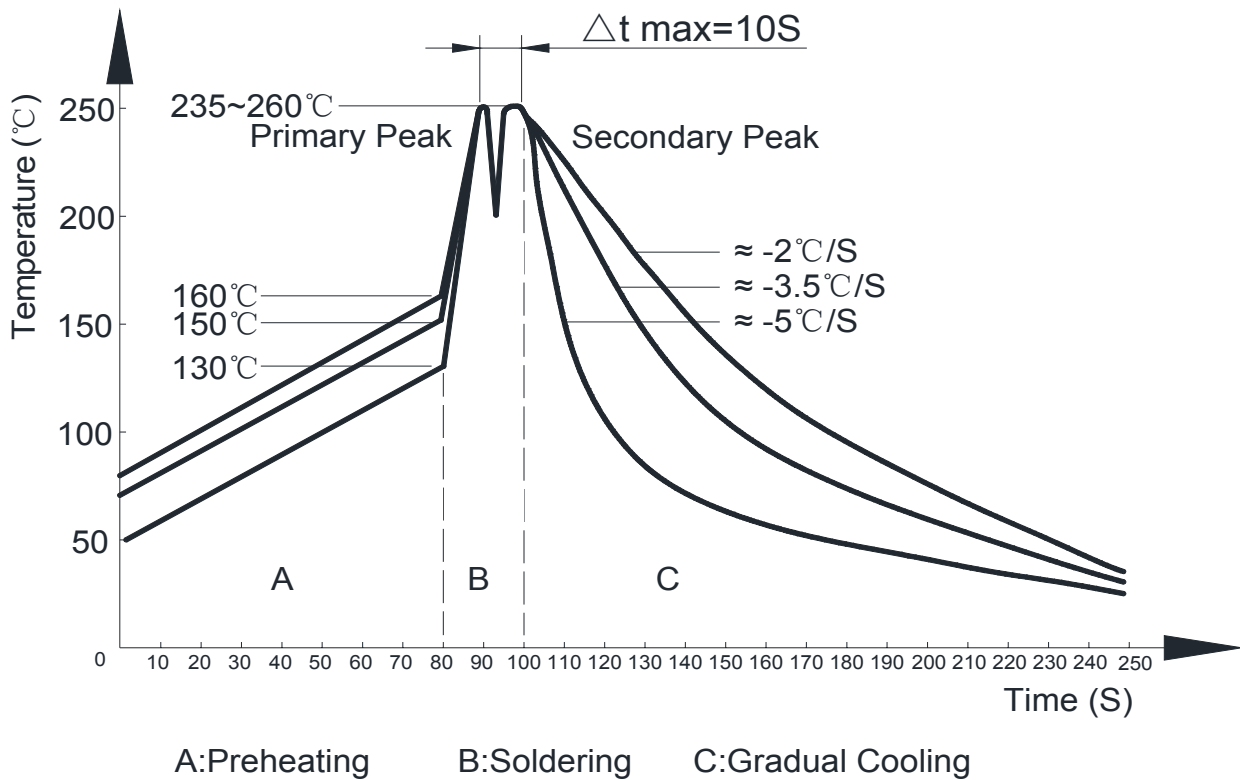
7. Bill of Material

No	Items	Material Name	Manufacturer	UL File No	SGS File No
1	Core	Mn-Zn core JPP-95	A-CORE or Equivalent	NIL	CANEC1925512601
OR	Core	Mn-Zn core SSP-95	SUNSHINE or Equivalent	NIL	CANEC2002070201
2	Bobbin	PM-9820	SUMITOMO (SumiDurez) or Equivalent	E41429	SHAEC1904476905
3	Copper Wire	Polyurethane bare wire (Cu) Polysol 180	ELEKTRISOLA or Equivalent	E258243	CE/2020/34972
4	Triple Wire	Multilayer insulated wire TIW-FXX	FLUO TECH or Equivalent	E488352	CANML1902556325
5	Insulation tape	Yellow color 1350F-1(b)	3M or Equivalent	E17385	CE/2019/A2253
6	Teflon Tube	PTFE TUBE TFL	FLUO TECH or Equivalent	E175982	CANML1902556301
7	Epoxy	EB-360	CHANGFENG or Equivalent	NIL	SHAEC1925290501
8	Epoxy	TH320	TIAN HUAN or Equivalent	E257593	SZxec1902353001
9	Varnish	8562*	HANG CHEUNG or Equivalent	E200154	CANEC1900008105
10	Solder	Lead-free solder bar	HONGTAIZHOU or Equivalent	NIL	CANEC1911577101

Semitel'S MODEL NO. :	ATQ22-539	CUSTOMER'S MODEL NO. :	
VERSION:	B	CUSTOMER'S PART NO. :	
DATE:	2020/5/26		

Product Specification

8.Wave Solder Profile



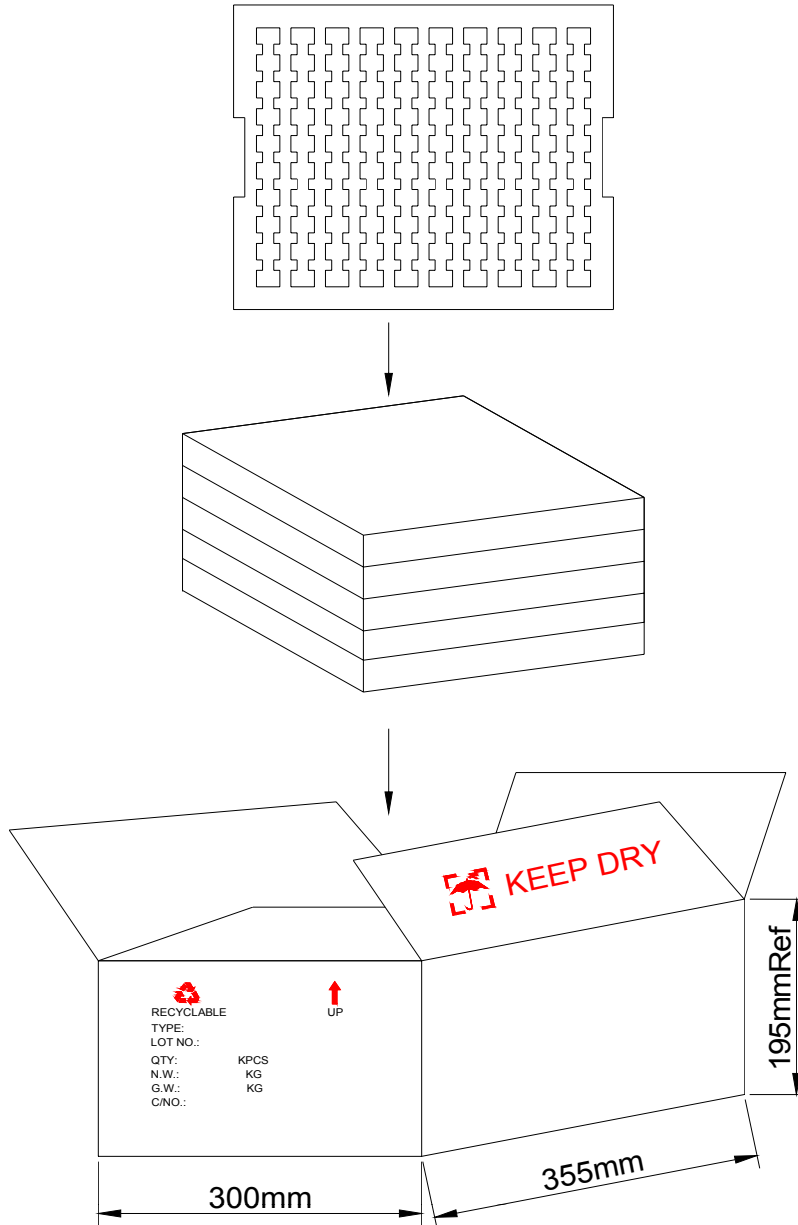
Semitel'S MODEL NO. :	ATQ22-539	CUSTOMER'S MODEL NO. :	
VERSION:	B	CUSTOMER'S PART NO. :	
DATE:	2020/5/26		

Product Specification

9.Packing Request

*Put in the EPE slot, each layer contains 100pcs products.

*Every carton box contains 500pcs products,with a total of 5 layers.



Semitel'S MODEL NO. :	ATQ22-539	CUSTOMER'S MODEL NO. :	
VERSION:	B	CUSTOMER'S PART NO. :	
DATE:	2020/5/26		

Test Report

Test Instruments								
	HP4284A	HP4284A	VR131			HP4284A	CS2670A	
NO	Inductance	LK-Inductance	DCR			Turns Ratio	Hi-Pot	
	at 10kHz,1Vrms	at 10kHz,1Vrms	at 25°C			at 20kHz,1Vrms	5mA,3Sec	5mA,3Sec
	L(1-2)	LK(1-2) Tie other	R(1-2)	R(F1-F2)	R(3-4)	(1-2):(F1-F2):(3-4)	Pri. to Sec.	Win. to Core
	1mH±7%	30uH MAX.	1.3Ω MAX.	40mΩ MAX.	160mΩ MAX.	63:8:9;±3%	3000VAC	500VAC
1	1.87	12.10	1.03	26.80	142.20	Passed	Passed	Passed
2	1.69	12.10	1.05	26.50	144.60	Passed	Passed	Passed
3								
4								
5								
MIN.	1.69	12.10	1.03	26.50	142.20			
MAX.	1.87	12.10	1.05	26.80	144.60			
AVG.	1.78	12.10	1.04	26.65	143.40			
Result	Passed	Passed	Passed	Passed	Passed	Passed	Passed	Passed

Overall Dimensions Test

Measurement Tools: Caliper (Unit:mm)

NO	A	B	C	D	E	F	G	H		
	24.5MAX.	23.0MAX.	13.0MAX.	3.5±0.5	□0.6±0.1	3.5±0.5	35.0±3.0	5.0±2.0		
1	22.25	21.40	12.10	3.50	0.60	3.48	36.00	4.00		
2	22.27	21.30	12.10	3.50	0.60	3.50	35.00	5.00		
3										
4										
5										
MIN.	22.25	21.30	12.10	3.50	0.60	3.48	35.00	4.00		
MAX.	22.27	21.40	12.10	3.50	0.60	3.50	36.00	5.00		
AVG.	22.26	21.35	12.10	3.50	0.60	3.49	35.50	4.50		
Result	Passed	Passed	Passed	Passed	Passed	Passed	Passed	Passed		

Semitel'S MODEL NO. :	ATQ22-539	CUSTOMER'S MODEL NO. :	
VERSION:	B	CUSTOMER'S PART NO. :	
DATE:	2020/5/26		