

SPECIFICATION FOR APPROVAL

<p>CUSTOMER'S APPROVAL CHOP</p> <p>Approval's condition: _____</p> <p>Approved date: _____</p>

KINDLY RETURN A SET WITH YOUR COMPANY'S OFFICIAL
STAMP ON APPROVAL OF THIS ITEM

CUSTOMER'S NAME: _____

CUSTOMER'S MODEL NO. : _____

CUSTOMER'S PART NO. : _____

DESCRIPTION: _____
EP7

Semitel'S MODEL NO. : _____
EP7-694

VERSION: _____
A

DATE: _____
2020/12/15

Attachments:

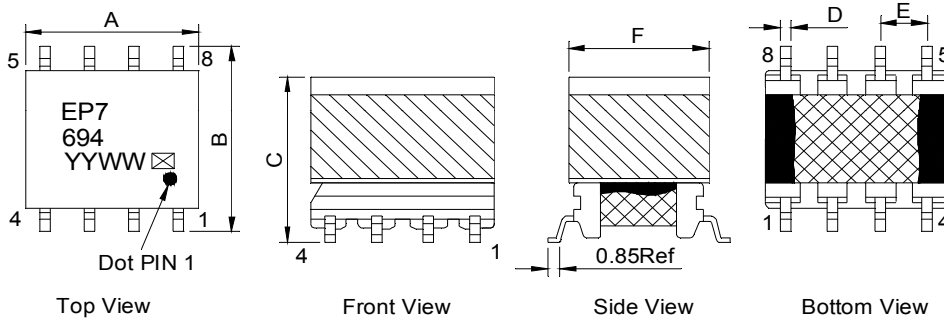
- Product specification
- Sample Qty.:
- Test data

Prepared By	Checked By	Approved By
Hebe Deng 2020/12/15	Liang Wang 2020/12/15	Alan Wong 2020/12/15

Semitel International Ltd.,	TEL: 886-2-86922121 FAX: 886-2-26483379
www.semitelint.com	12F, No.183, Sec.1, Datong Rd., Xizhi Dist., New Taipei City 22145, Taiwan

Product Specification

1. Physical Dimensions (Unit:mm)

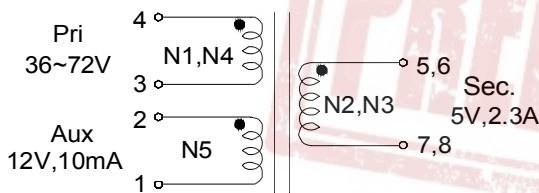


- A 9.78 MAX.
- B 9.14MAX.
- C 10.54MAX.
- D 0.7±0.1
- E 2.5±0.3
- F 8.5MAX.

Notes:

- (1).Marking type is laser printing
- (2).YY: Year Code; WW: Week Code
- (3).⊠:When making samples, S is used to represent the product is a sample.
- (4).⊠:Use different letters or numbers to represent the products are produced from different production lines .
- (5).Size B not including soldering tags
- (6).Coplanarity Requirement: Less than 0.10mm

2. Connection

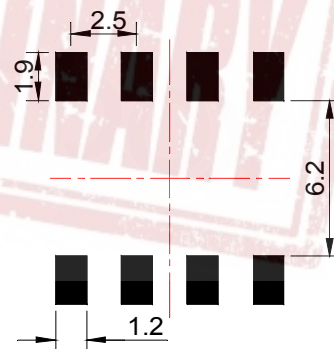


" "Start of winding

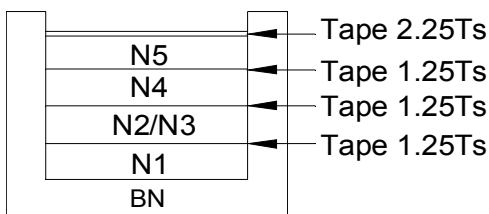
*Customer to tie terminals 5&6 and 7&8 on PC board.

*Application of the transformer allows for the leadwires between terminals 5&6 and 7&8 to solder bridge.

3.Recommended Pad Layout (Unit:mm)



4.Structure of Products



5. No of turns & Wire spec

No	No of Pin	Turns	Wire Spec
N1	4--3	24 TS	ø0.13mm*1P P180
N2/N3	5,6--7,8	6 TS	ø0.30mm*2P P180
N4	4--3	24 TS	ø0.13mm*1P P180
N5	2--1	15 TS	ø0.15mm*1P P180

Semitel'S MODEL NO. :	EP7-694	CUSTOMER'S MODEL NO. :	
VERSION:	A	CUSTOMER'S PART NO. :	
DATE:	2020/12/15		

Product Specification

6. Electrical Characteristics

*Electrical specifications @ 25°C unless otherwise noted:

*Operating temperature range: -40°C to +125°C .

*Storage temperature range: -40°C to +125°C .

Items	Winding	Specifications	Test Conditions
Inductance	L(4-3)	44uH±10%	at 250kHz,0.1Vrms
LK-Inductance	LK(4-3) Tie1,2,5,6,7,8	1.5uH MAX.	at 250kHz,0.1Vrms
DCR	R(4-3)	34mΩ MAX.	at 25°C
	R(5,6-7,8)	24mΩ MAX.	
	R(2-1)	55mΩ MAX.	
Turns Ratio	(4-3):(5,6-7,8):(2-1)	24.6:15;±3%	at 250kHz,0.1Vrms
Hi-Pot	Pri. To Sec.	1500VAC	3mA.1SEC
	Win. To Core	500VAC	3mA.1SEC

7. Bill Of Material

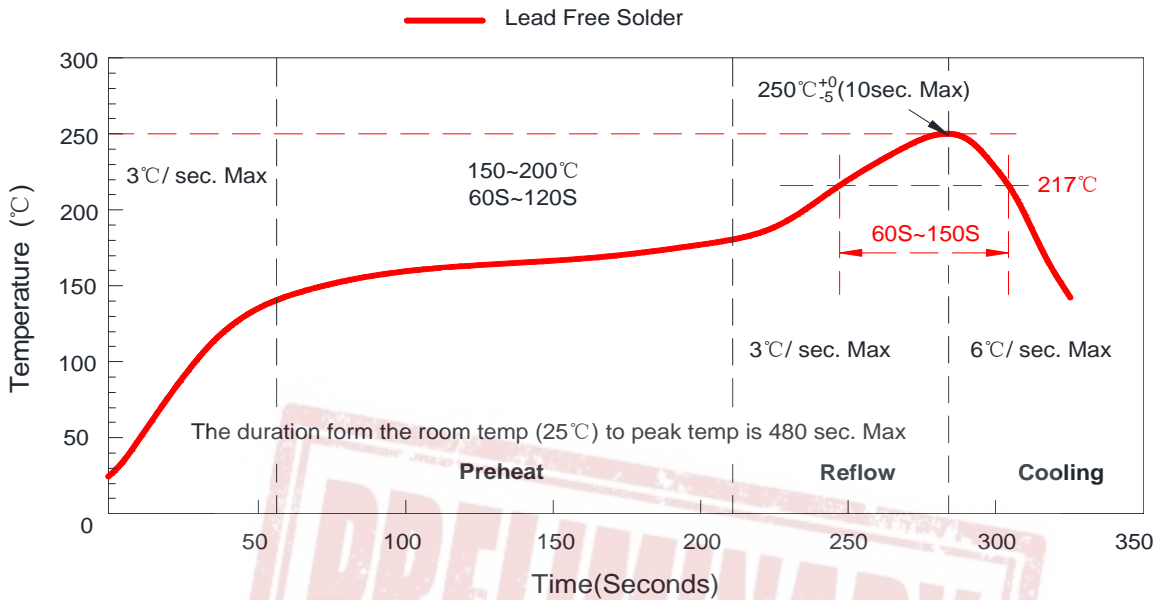
No	Item	Material Name	UL File No	Manufacturer	SGS File No
1	Core	MnZn ferrite core JCP-95	NIL	FCRI or Equivalent	A2200234874101001R1
2	Bobbin	PM-9630	E41429	SUMITOMO (SumiDurez) or Equivalent	SHAEC2002442505
3	Copper Wire	Polyurethane bare wire (Cu) Polysol 180	E258243	ELEKTRISOLA or Equivalent	CE/2020/34972
OR	Copper Wire	Polyurethane wire UEWH/U	E201757	PACIFIC or Equivalent	A219029024010101E
4	Polyimide Tape	Brown adhesive plastic HN NC 0.025mm V-0	E339977	RUNSEA (RAYITEK) or Equivalent	SZXEC2000536905
5	EPOXY	EB-360	NIL	CHANGFENG or Equivalent	SHAEC1925290501
6	Varnish	8562*	E200154	HANG CHEUNG or Equivalent	CANEC1900008105
7	Solder	Lead free solder	NIL	HONGTAIZHOU or Equivalent	SZXEC2001415205

Semitel'S MODEL NO. :	EP7-694	CUSTOMER'S MODEL NO. :	
VERSION:	A	CUSTOMER'S PART NO. :	
DATE:	2020/12/15		

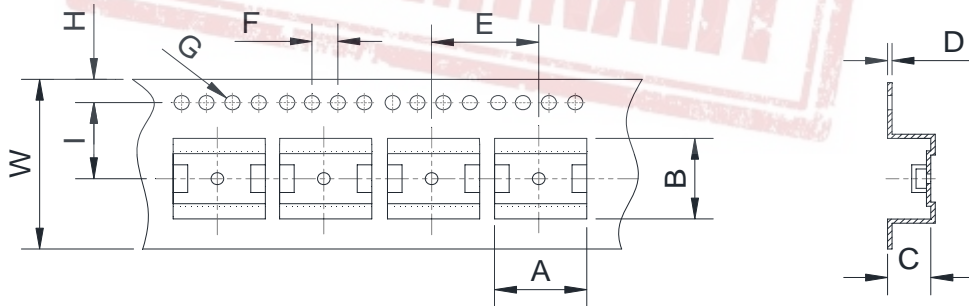
Product Specification

8.Recommended Temperature Conditions of Air Reflow Soldering

Test Solderability Temperature Profile



9.Tape Dimensions



Unit: mm

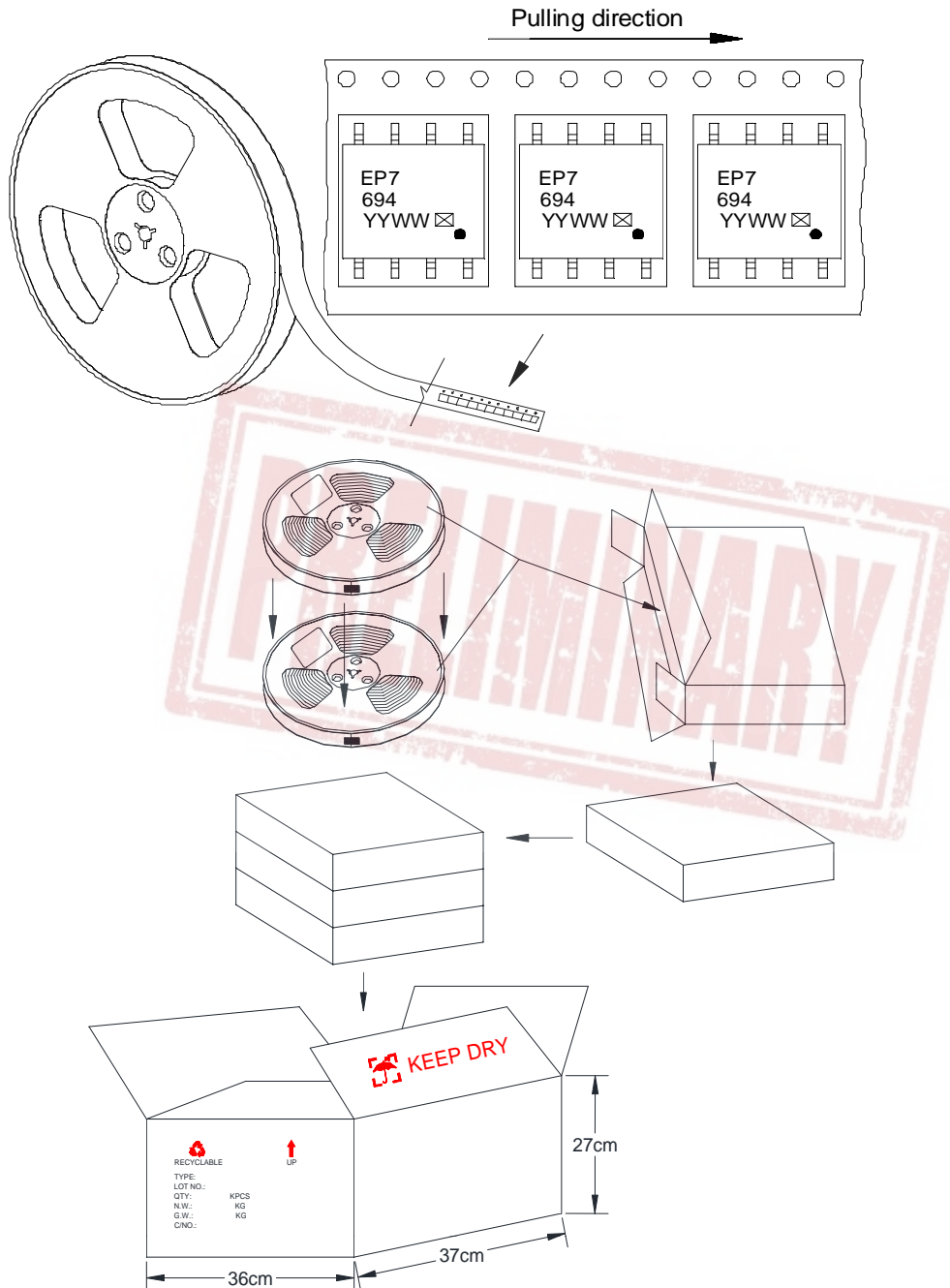
Item	W	A	B	C	D	E	F	G	H	I
Dim.	24.0 ±0.3	9.7 ±0.1	10.65 ±0.1	10.2 ±0.1	0.5 ±0.05	16.0 ±0.1	4.0 ±0.1	1.5 ±0.1	1.75 ±0.1	10.4 ±0.1

Semitel'S MODEL NO. :	EP7-694	CUSTOMER'S MODEL NO. :	
VERSION:	A	CUSTOMER'S PART NO. :	
DATE:	2020/12/15		

Product Specification

10.Packing Request

- (1),Every roll of the carrier tape can contain 400 pcs products.
- (2),Every small packing box contains two rolls of carrier tape.Total quantity: 800 pcs.
- (3),Every carton box contains 3 small packing boxes.Total quantity: 2400 pcs.



Semitel'S MODEL NO. :	EP7-694	CUSTOMER'S MODEL NO. :	
VERSION:	A	CUSTOMER'S PART NO. :	
DATE:	2020/12/15		

Test Report

Test Instruments								
HP4284A		DCR METER 131			HP4284A	CS2670A		
Inductance	LK-Inductance	DCR			Turns Ratio	Hi-Pot		
at 250kHz,0.1Vrms	at 250kHz,0.1Vrms	at 25°C			at 250kHz,0.1Vrms	3mA.1SEC	3mA.1SEC	
L(4-3)	LK(4-3) Tie1,2,5,6,7,8	R(4-3)	R(5,6-7,8)	R(2-1)	(4-3):(5,6-7,8):(2-1)	Pri. To Sec.	Win. To Core	
44uH±10%	1.5uH MAX.	34mΩ MAX.	24mΩ MAX.	55mΩ MAX.	24.6:15;±3%	1500VAC	500VAC	
1	42.00	0.57	24.00	15.00	445.00	Passed	Passed	Passed
2								
3								
4								
5								
MIN.	42.00	0.57	24.00	15.00	445.00			
MAX.	42.00	0.57	24.00	15.00	445.00			
AVG.	42.00	0.57	24.00	15.00	445.00			
Result	Passed	Passed	Passed	Passed	Passed	Passed	Passed	Passed
Overall Dimensions Test					Measurement Tools: Caliper (Unit:mm)			
NO	A	B	C	D	E	F		
	9.78 MAX.	9.14MAX.	10.54MAX.	0.7±0.1	2.5±0.3	8.5MAX.		
1								
2								
3								
4								
5								
MIN.	0.00	0.00	0.00	0.00	0.00	0.00		
MAX.	0.00	0.00	0.00	0.00	0.00	0.00		
AVG.	#DIV/0!	#DIV/0!	#DIV/0!	#DIV/0!	#DIV/0!	#DIV/0!		
Result	Passed	Passed	Passed	Passed	Passed	Passed		

Semitel'S MODEL NO. :	EP7-694	CUSTOMER'S MODEL NO. :	
VERSION:	A	CUSTOMER'S PART NO. :	
DATE:	2020/12/15		