

## SPECIFICATION FOR APPROVAL

<p><b>CUSTOMER'S APPROVAL CHOP</b></p>  <p>Approval's condition: _____</p> <p>Approved date: _____</p>
--

KINDLY RETURN A SET WITH YOUR COMPANY'S OFFICIAL  
STAMP ON APPROVAL OF THIS ITEM

**CUSTOMER'S NAME:** \_\_\_\_\_

**CUSTOMER'S MODEL NO. :** \_\_\_\_\_

**CUSTOMER'S PART NO. :** \_\_\_\_\_

**DESCRIPTION:** \_\_\_\_\_  
**RID7**

**Semitel'S MODEL NO. :** \_\_\_\_\_  
**RID7-346**

**VERSION:** \_\_\_\_\_  
**B**

**DATE:** \_\_\_\_\_  
**2018/7/4**

**Attachments:**

- Product specification
- Sample Qty. :
- Test Data

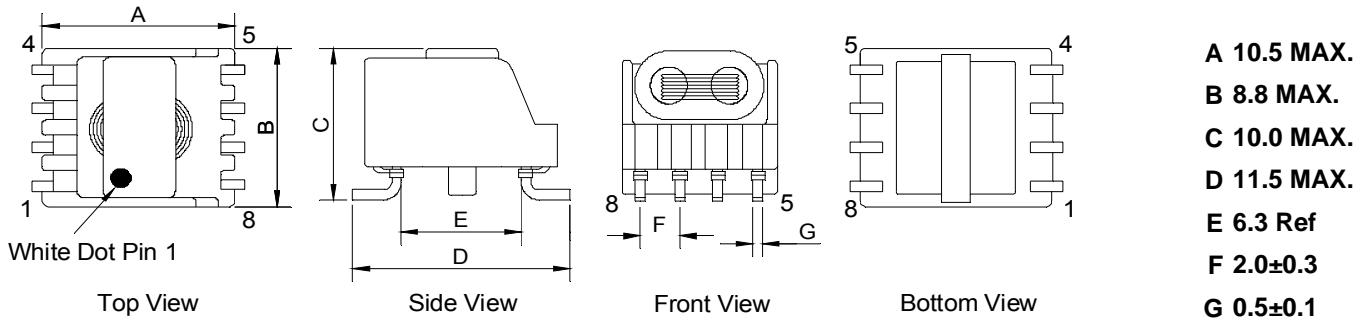
Prepared By	Checked By	Approved By
Hebe Deng 2018/7/4	Liang Wong 2018/7/4	Alan Wong 2018/7/4

Semitel International Ltd.,	TEL: 886-2-86922121      FAX: 886-2-26483379
www.semitelint.com	12F, No.183, Sec.1, Datong Rd., Xizhi Dist., New Taipei City 22145, Taiwan



# Product Specification

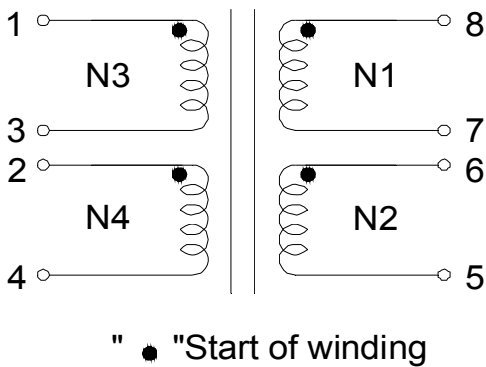
## 1. Physical Dimensions (Unit:mm)



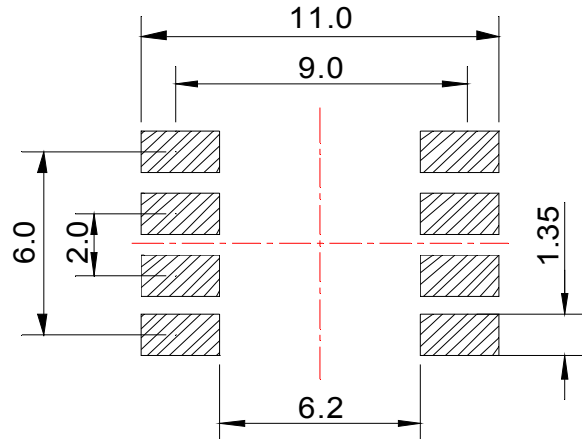
**Notes:**

- \*Dot indicates the location of pin#1.
- \*Size D not including soldering tags
- \*Coplanarity Requirement: Less than 0.15mm
- \*ITDSC Model: SM7AA (Safety Requirements: Supplementary insulation operating voltage up to 250V)

## 2. Connection



## 3. Recommended Pad Layout (Unit:mm)



Semitel'S MODEL NO. :	RID7-346	CUSTOMER'S MODEL NO. :	
VERSION:	B	CUSTOMER'S PART NO. :	
DATE:	2018/7/4		

## Product Specification

### 4. Electrical Characteristics

\*Electrical Specifications @ 25°C.

\*Operating temperature range: -40°C to +85°C .

Items	Winding	Specifications	Test Conditions
Inductance	L(8-5) Tie (6-7)	10uH MIN~200uH MAX.	at 100KHz,0.1Vrms
LK-Inductance	LK(8-5) (tie 6-7, 1-2-3-4)	0.12uH MAX.	at 3MHz,0.1Vrms
DCR	R(8-5) Tie (6-7)	2.0Ω MAX.	at 25°C
	R(1-4) Tie (2-3)	1.0Ω MAX.	
Turn Ratio	(8-5): (1-4) tie 6-7 , tie 2-3	1.5:1±2%	at 100KHz,0.1Vrms
THD		-75dB MAX.	at 1MHz,2Vrms line side @100Ω
		-65dB MAX.	at 1MHz,5.5Vrms line side @100Ω
Interwinding Cap.	(1+2+3+4):(8+7+6+5)	10pF MAX.	at 100KHz,0.1Vrms
LCL		30dB MIN.	at 106MHz
		24dB MIN.	at 212MHz (27-20*log (f/106)+3)
Dielectric Withstanding	Pri. To Sec.	1500Vrms	1mA.1 minute
Surge Requirements	Pri. To Sec.	6KV	ITU-T K.21 Enhanced 6kV level

### 5. Bill of Material

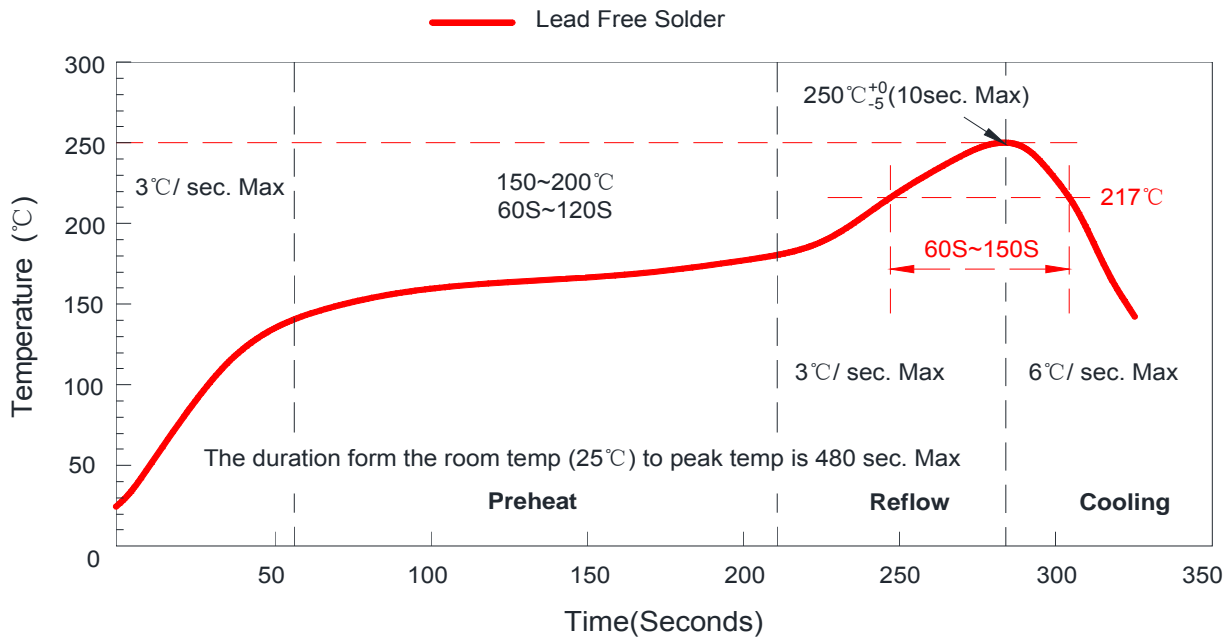
No	Items	Material Name	Manufacturer	UL File No	SGS File No
1	Core	FERRITE CORE A071	ACME or Equivalent	NIL	CE/2017/A2992J
2	Bobbin	PM9630	SUMITOMO (SumiDurez) or Equivalent	E41429	SHAEC1705662106
3	Copper Wire	enamelled wire	SUNTEK or Equivalent	E234867	SCL01J005340014E
4	Wire	Double insulation and multilayer insulated wire TIW-FXX	FLUO-TECH or Equivalent	E488352	CANML1702805201
OR	Wire	Double insulation and multilayer insulated wire D-(30 to 40)-X- XX-T-XX-U(U=or>1.0)	RUBADUE or Equivalent	E206198	HKGEC1700775404
5	EPOXY	G-2022AB	Gudejia or Equivalent	NIL	AGC03034180301-004
6	Solder	Lead free solder	HANHUA or Equivalent	NIL	CANEC1701333701

Semitel'S MODEL NO. :	RID7-346	CUSTOMER'S MODEL NO. :	
VERSION:	B	CUSTOMER'S PART NO. :	
DATE:	2018/7/4		

## Product Specification

### 6.Recommended Temperature Conditions of Air Reflow Soldering

#### Test Solderability Temperature Profile

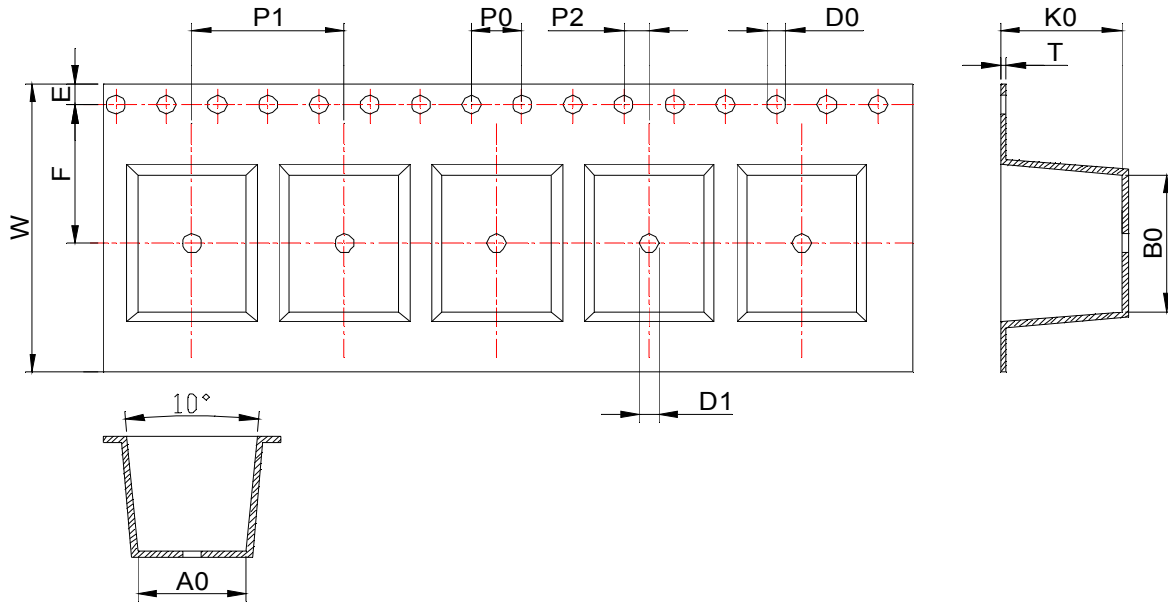


Profile Feature	Pb-Free Assembly
Average Ramp-Up Rate (Ts <sub>max</sub> to Tp)	3°C/Second Max.
Preheat -Temperature Min(Ts <sub>min</sub> ) -Temperature Max(Ts <sub>max</sub> )	150°C 200°C 60-180 Seconds
Time maintained above: -Temperature(T <sub>L</sub> ) -Time(t <sub>L</sub> )	217°C 60-150 Seconds
Peak/Classification Temperature(Tp)	250°C
Time within 5°C of actual Peak Temperature(tp)	10 Seconds Max
Ramp-Down Rate	6°C/Second Max.
Time 25°C to Peak Temperature	8 Minutes Max.

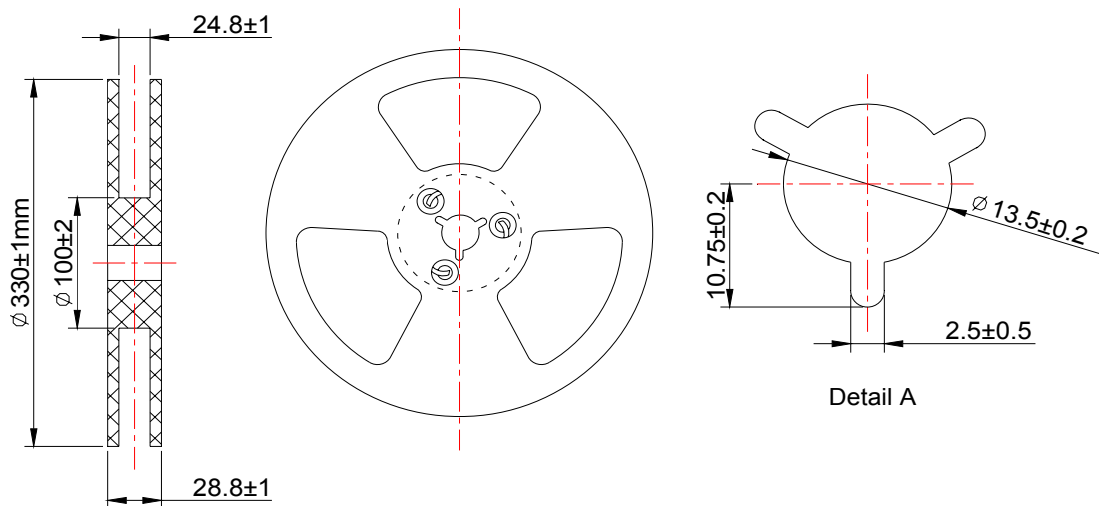
Semitel'S MODEL NO. :	RID7-346	CUSTOMER'S MODEL NO. :	
VERSION:	B	CUSTOMER'S PART NO. :	
DATE:	2018/7/4		

# Product Specification

## 7. Tape and Reel Dimensions (Unit:mm)



symbol	A0	B0	K0	P0	P1	P2
Spec	8.6±0.1	11.4±0.1	9.6±0.1	4.0±0.1	12.0±0.1	2.0±0.1
symbol	W	T	E	F	D0	D1
Spec	24.0±0.3	0.5±0.05	1.75±0.1	11.5±0.1	∅ 1.5 <sup>+0.1</sup> <sub>0</sub>	∅ 1.5 <sup>+0.1</sup> <sub>0</sub>

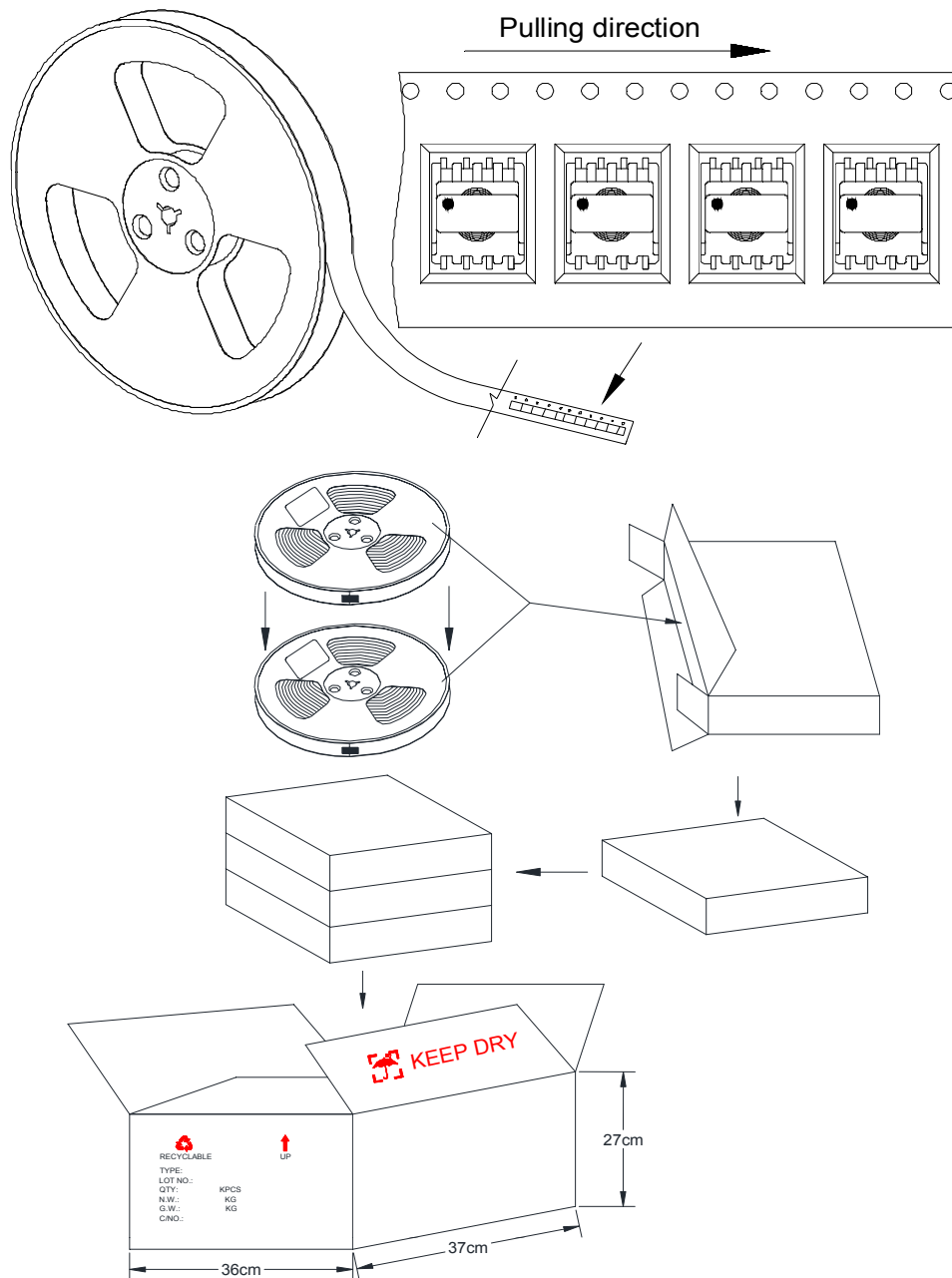


Semitel'S MODEL NO. :	RID7-346	CUSTOMER'S MODEL NO. :	
VERSION:	B	CUSTOMER'S PART NO. :	
DATE:	2018/7/4		

## Product Specification

### 8.Packing Request

- (1).Every roll of the carrier tape can contain 500pcs products.
- (2).Every small packing box contains two rolls of carrier tape. Total quantity: 1000pcs.
- (3).Every carton box contains 3 small packing boxes.Total quantity:3000pcs.



Semitel'S MODEL NO. :	RID7-346	CUSTOMER'S MODEL NO. :	
VERSION:	B	CUSTOMER'S PART NO. :	
DATE:	2018/7/4		

## Test Report

Test Instruments											
HP4284A		VR131		SYS2702A		HP8751A		HP4284A	T3000	CS2670A	
NO	Inductance	LK-Inductance	DCR		THD		LCL		Interwinding Cap.	Turn Ratio	Dielectric Withstanding
	at 100KHz, 0.1Vrms	at 3MHz, 0.1Vrms	at 25°C		at 1MHz, 2Vrms, line side @100Ω	at 1MHz, 5.5Vrms, line side @100Ω	at 106MHz	at 212MHz	at 100KHz, 0.1Vrms	at 100KHz, 0.1Vrms	1mA, 1 minute
	L(8-5) Tie (6-7)	LK(8-5) (tie 6-7, 1-2-3-4)	R(8-5) Tie (6-7)	R(1-4) Tie (2-3)					(1+2+3+4):(8+7+6+5)	(8-5): (6-7) tie 6-7, tie 2-3	Pri. To Sec.
	10uH MIN~200uH MAX.	0.12uH MAX.	2.0Ω MAX.	1.0Ω MAX.	-75dB MAX.	-65dB MAX.	30dB MIN.	24dB MIN.	10pF MAX.	1.5:1±2%	1500Vrms
1	71.50	0.09	0.39	0.31	-78.60	-68.00	43.40	41.60	3.43	PASS	PASS
2	80.00	0.10	0.39	0.31	-78.00	-67.80	40.60	38.90	3.43	PASS	PASS
3	78.30	0.10	0.39	0.30	-79.10	-70.40	45.40	41.40	3.41	PASS	PASS
4	64.20	0.10	0.39	0.29	-78.90	-38.20	46.70	36.70	3.48	PASS	PASS
5	75.20	0.09	0.38	0.29	-79.20	-67.50	40.90	30.60	3.45	PASS	PASS
MIN.	64.20	0.09	0.38	0.29	-79.20	-70.40	40.60	30.60	3.41		
MAX.	80.00	0.39	0.39	0.31	-78.00	-38.20	46.70	41.60	3.48		
AVG.	73.84	0.24	0.39	0.30	-78.76	-62.38	43.40	37.84	3.44		
<b>Result</b>	<b>Passed</b>	<b>Passed</b>	<b>Passed</b>	<b>Passed</b>	<b>Passed</b>	<b>Passed</b>	<b>Passed</b>	<b>Passed</b>	<b>Passed</b>	<b>Passed</b>	<b>Passed</b>

### Overall Dimensions Test

Measurement Tools: Caliper (Unit:mm)

NO	A	B	C	D	E	F	G				
		10.5 MAX.	8.8 MAX.	10.0 MAX.	11.5 MAX.	6.3 Ref	2.0±0.3	0.5±0.1			
1	10.07	8.32	9.18	10.86	6.54	1.89	0.50				
2	10.02	8.30	9.14	10.75	6.52	2.04	0.50				
3	10.11	8.28	9.23	10.40	6.59	1.98	0.53				
4	10.24	8.30	9.17	10.82	6.57	1.97	0.51				
5	10.03	8.31	9.25	10.86	6.57	1.97	0.51				
MIN.	10.02	8.28	9.14	10.40	6.52	1.89	0.50				
MAX.	10.24	8.32	9.25	10.86	6.59	2.04	0.53				
AVG.	10.09	8.30	9.19	10.74	6.56	1.97	0.51				
<b>Result</b>	<b>Passed</b>	<b>Passed</b>	<b>Passed</b>	<b>Passed</b>	<b>Passed</b>	<b>Passed</b>	<b>Passed</b>				

Semitel'S MODEL NO. :	RID7-346	CUSTOMER'S MODEL NO. :	
VERSION:	B	CUSTOMER'S PART NO. :	
DATE:	2018/7/4		