

SPECIFICATION FOR APPROVAL

<p>CUSTOMER'S APPROVAL CHOP</p> <p>Approval's condition: _____</p> <p>Approved date: _____</p>
--

KINDLY RETURN A SET WITH YOUR COMPANY'S OFFICIAL STAMP
ON APPROVAL OF THIS ITEM

CUSTOMER'S NAME: _____

CUSTOMER'S MODEL NO. : _____

CUSTOMER'S PART NO. : _____

DESCRIPTION: **Dielectric Filter**

Semitel'S MODEL NO. : **SE7R5240A180_9.36_Xxx**

VERSION: **B**

DATE: **2022/12/21**

- Attachments:**
- Product Specification
 - Sample Qty. :
 - Test Data

Prepared By	Checked By	Approved By
Hebe Deng 2022/12/21	Liang Wong 2022/12/21	Eric Chang 2022/12/21

Semitel International Ltd.,	TEL: 886-2-86922121 FAX: 886-2-26483379
www.semitelint.com	12F, No.183, Sec.1, Datong Rd., Xizhi Dist., New Taipei City 22145, Taiwan

1.FEATURES

- Small Size, Light weight
- SMT package soldering
- Ideal for Microwave telecommunication

2.SPECIFICATIONS

NO.	ITEM	SPEC	UNIT
1	Center Frequency [fo]	5240	MHz
2	Bandwidth [BW]	fo±90 【5150~5330】	MHz
3	Insertion Loss in BW	2.6 max.@5150~5320 MHz	dB
		2.8 max.@5320~5330 MHz	
4	VSWR in BW	2.0 max	ratio
5	Attenuation	50 min. @10~4750MHz 40 min. @4750~4900MHz 50 min. @5490~5510MHz 50 min. @5510~6000 MHz 47 min. @6000~7125 MHz	dB
6	Impedance	50	Ω

^ All Parameters are measured with 50Ω system at +25 °C if not specified.

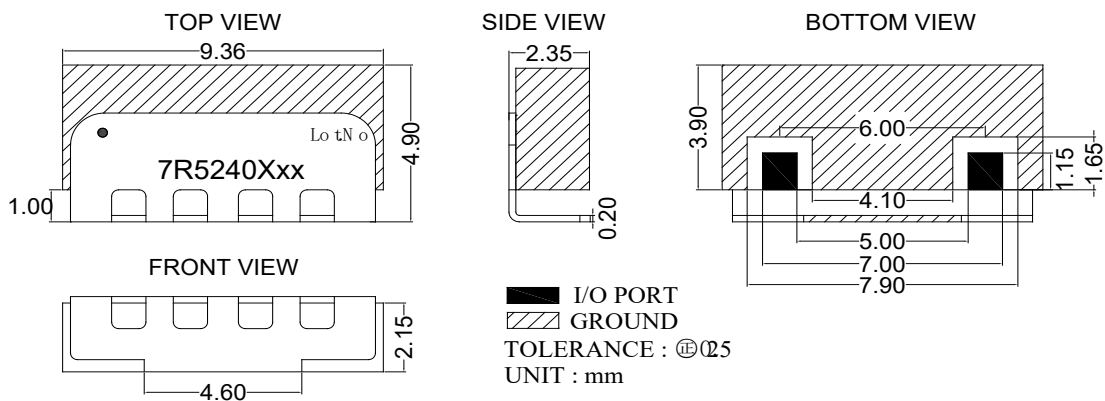
Semitel'S MODEL NO. :	SE7R5240A180_9.36_Xxx	CUSTOMER'S MODEL NO. :	
VERSION:	B	CUSTOMER'S PART NO. :	
DATE:	2022/12/21		

3.OUTLINE DRAWING

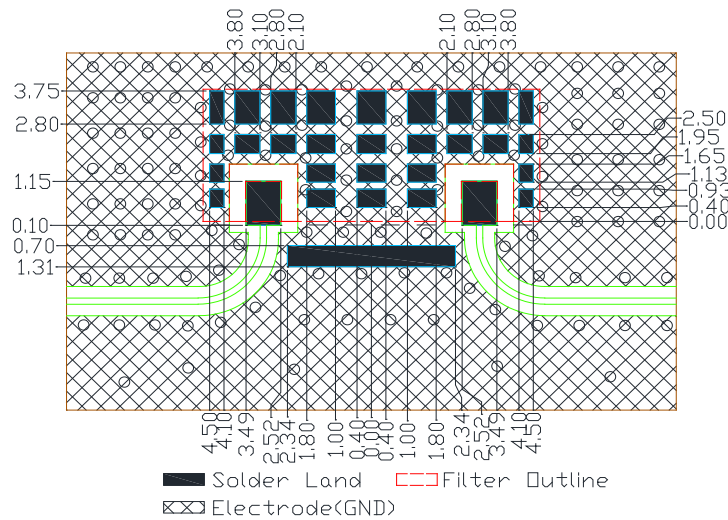
3.1. Filter drawing

3.2. SE7R5240A180_9.36_Xxx

marking showing 7R5240Xxx= A~Z, xx=01~99 mean for project series code.)



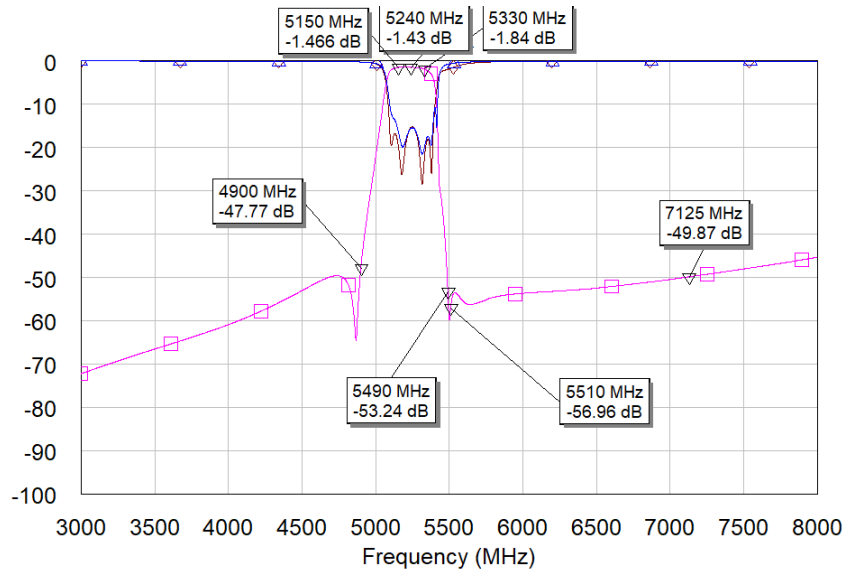
4.RECOMMENDED PC BOARD PATTERN



- The recommendation of steel mesh thickness: 0.08mm.
- The recommendation of soldering paste: M705-S101HF(VM)-S4.

Semitel'S MODEL NO. :	SE7R5240A180_9.36_Xxx	CUSTOMER'S MODEL NO. :	
VERSION:	B	CUSTOMER'S PART NO. :	
DATE:	2022/12/21		

5.FREQUENCY RESPONSE

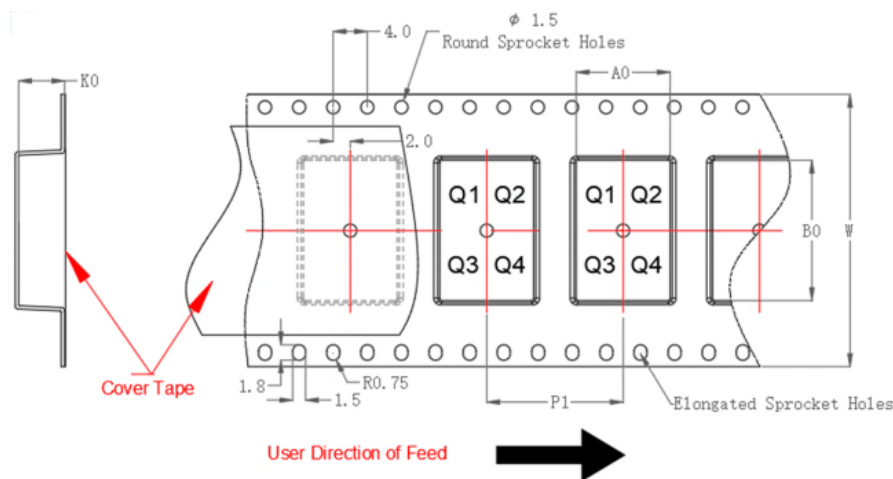
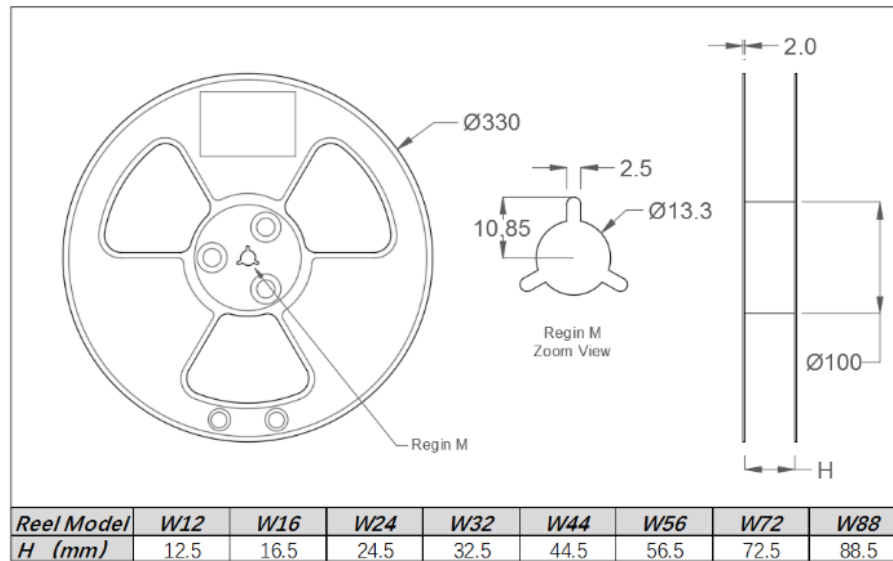


6.ABSOLUTE MAXIMUM RATINGS

Operation Temperature Range	-40~+115°C MAX
Storage Temperature Range	-40~+115°C MAX
Input Power	2 W(Average)/20 W(peak)

Semitel'S MODEL NO. :	SE7R5240A180_9.36_Xxx	CUSTOMER'S MODEL NO. :	
VERSION:	B	CUSTOMER'S PART NO. :	
DATE:	2022/12/21		

7.PACKAGE INFORMATION



Package Dimension (mm)							
Device	Reel No.	W	A0	B0	K0	P1	Mark Quadrant
SE7R5240A180_9.36_Xxx(7R5240Xxx)	W24	24	5.0	9.8	2.8	12	Q3

Semitel'S MODEL NO. :	SE7R5240A180_9.36_Xxx	CUSTOMER'S MODEL NO. :	
VERSION:	B	CUSTOMER'S PART NO. :	
DATE:	2022/12/21		

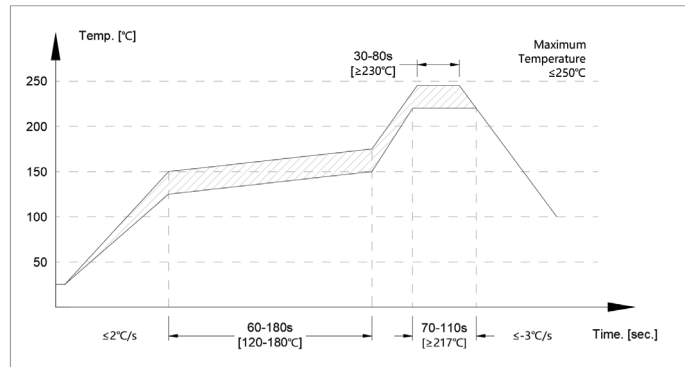
8.NOTES

1.Reflow condition

1.1 Pb-Free reflow condition is shown in the graph below.

1.2 SAC305 solder paste is recommended.

1.3 The temperature shown in the graph is the surface temperature of the filter body.



- Soldering Iron is prohibited for installation or repairing of the filter.
- Use the hot gas repair station for removing and replacing the filter, do not exceed 250°C (filter surface temperature) during rework.

2.This product is RoHS 2.0 compliant.

3.Moisture Sensitivity Level: MSL-1.

4.The dielectric ceramic filter belongs to brittle products, it is necessary to avoid extreme heat and cold.

5.The solder area under the filter should be divided into smaller patches with narrow strips of resist area. This is to help the evacuation of the gasses generated from the solder paste during reflow process.

6.The filter will be tested on EVB with 50Ω impedance, the performance should completely satisfy the specification requirements.

7.When the surface-mount filter is installed in metal cavity, to achieve best performance of the filter, it is recommended that the filter top is in contact with the metal housing with conductive spring or conductive sponge.

Semitel'S MODEL NO. :	SE7R5240A180_9.36_Xxx	CUSTOMER'S MODEL NO. :	
VERSION:	B	CUSTOMER'S PART NO. :	
DATE:	2022/12/21		