

# 承認書

## SPECIFICATION FOR APPROVAL

<b>CUSTOMER'S APPROVAL CHOP</b> 客戶確認蓋章	
條件附確認: Approval's condition:	_____
確認日期 Approved date:	_____

確認這制品, 請簽回一套給我司并蓋上貴司的正式印章  
KINDLY RETURN A SET WITH YOUR COMPANY'S OFFICIAL  
STAMP ON APPROVAL OF THIS ITEM

客戶名稱 :  
**CUSTOMER'S NAME :** \_\_\_\_\_

客戶機型 :  
**CUSTOMER'S MODEL NO. :** \_\_\_\_\_

客戶型號 :  
**CUSTOMER'S PART NO. :** \_\_\_\_\_

類別 :  
**DESCRIPTION :** \_\_\_\_\_ **EFD15** \_\_\_\_\_

晶訊編號 :  
**Semitel'S MODEL NO. :** \_\_\_\_\_ **EFD15-144** \_\_\_\_\_

版本 :  
**VERSION :** \_\_\_\_\_ **A** \_\_\_\_\_

日期 :  
**DATE :** \_\_\_\_\_ **2016-1-18** \_\_\_\_\_

承認書附件:  
**Attachments:**

- 制品規格書  
Product specification
- 樣品/Sample Qty.:
- 測試參數  
Test data

Prepared By	Checked By	Approved By
Hebe 2016-1-18	Liang 2016-1-18	Alan 2016-1-18

晶訊國際有限公司	台灣新北市汐止區大同路一段179號10樓之-2 TEL: 886-2-86922121 FAX: 886-2-26483379
Semitel International Ltd.	10F-2, No.179, Sec.1, Datong Rd., Xizhi Dist., New Taipei City 22145, Taiwan

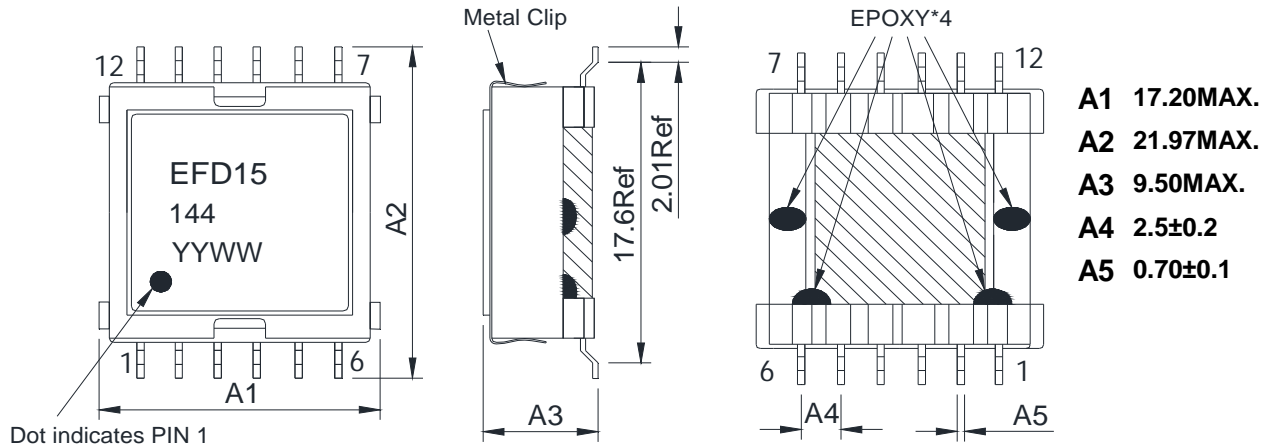


# 制品规格書

## Product Specification

### 1. 外形尺寸 (单位:mm)

#### Physical Dimensions UNIT = mm

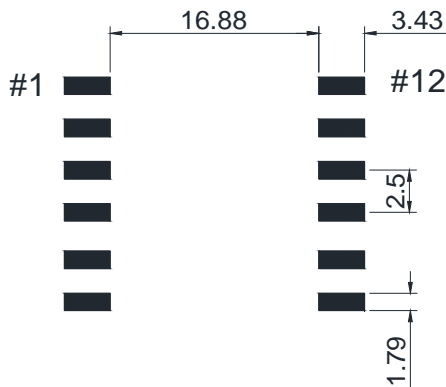


#### NOTE:

- (1), A2尺寸不包括锡尖在内
- (2), PIN1圆点与印字一起喷印, 印字中的"YYWW"表示生产年份和周期
- (3), 引脚针与水平面的偏差≤0.10mm

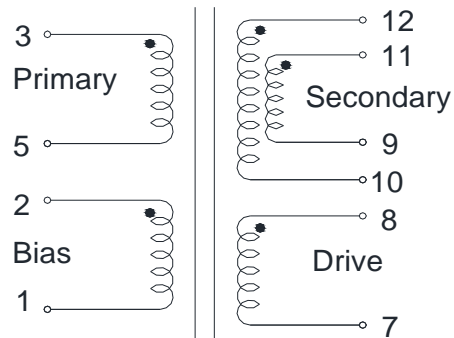
### 2. 建议焊盘尺寸 (单位:mm)

#### Recommended Land Pattern



### 3. 线路图 (底示圖)

#### Connection (Bottom)



"•"表示起线端

The secondary windings are to be connected in parallel on the PC board.

晶訊編號: Semitel'S MODEL NO. :	EFD15-144	客戶機型: CUSTOMER'S MODEL NO.:	
版本/VERSION :	A	客戶型號: CUSTOMER'S PART NO. :	
日期/DATE :	2016-1-18		

## 制品規格書

### Product Specification

#### 4. 电气特性

##### Electrical Characteristics

\*Operating temperature range:-40°C~+125°C

\*Storage temperature range:-40°C~+125°C

Items/項目	繞組/Winding	規格/Specifications	测试条件/Test conditions
電感量/Inductance	L(3-5)	150uH ±10%	at 100kHz,0.1Vrms
電感量/Inductance	L(3-5)	135uH Min	at 100kHz,0.1Vrms @ 1.2A
漏電感/ LK-Inductance	LK(3-5) Tie other	2.0uH Max	at 100kHz,0.1Vrms
	LK(8-7) Tie other	0.4uH Max	
直流電阻/DCR	R(3-5)	0.515Ω MAX	at 25°C
	R(11,12-9,10)	0.023Ω MAX	
	R(8-7)	0.570Ω MAX	
	R(2-1)	0.880Ω MAX	
圈比/Turns Ratio	Pri:Sec	5.0:1±2%	at 100kHz,0.1Vrms
	Pri:drive	3.2:1±2%	
	Pri:Bias	2.25:1±2%	
耐壓/Hi-Pot	Pri. TO Sec.	1500VDC	0.5mA.60 SEC.
	Bias TO Sec.	1500VDC	0.5mA.60 SEC.

#### 5. 材料表

##### Bill of material

No.	Item	Material name	Manufacturer	UL File No.	SGS File No.
1	Core	FERRITE CORE P4 or JP4B	ACME or JINNING	NIL	CE/2014/C0424A SHAEC1504591802
2	Bobbin	PM9630	SUMITOMO or Equivalent	E41429	10363385(2)
3	Copper Wire	Polyurethane wire P180	ELEKTRISOLA or Equivalent	E258243	CE/2015/44583
4	Insulation tape	POLYIMIDE FILM	RUNSEA or Equivalent	E339977	CANEC1507074101
5	Epoxy	TH320	TIANHUAN or Equivalent	E257593	CANEC1417094801
6	Epoxy	EB-360	CHANGFENG or Equivalent	NIL	SHAEC1423099403
7	Solder	Lead free solder	HONGTAIZHOU or Equivalent	NIL	CANEC1510999213

晶訊編號: Semitel'S MODEL NO. :	EFD15-144	客戶機型: CUSTOMER'S MODEL NO.:	
版本/VERSION :	A	客戶型號: CUSTOMER'S PART NO. :	
日期/DATE :	2016-1-18		

# 測試報告

## Test Report

Test instruments/ 測試設備													
3250		3250		DCR METER 131				3250			CS2670A		
NO	電感量/Inductance		漏電感/ LK-Inductance		直流電阻/DCR				圈比/Turns Ratio			耐壓/Hi-Pot	
	at 100kHz,0.1Vrms	at 100kHz,0.1Vrms @ 1.2A	at 100kHz,0.1Vrms		at 25°C	at 25°C	at 25°C	at 25°C	at 100kHz,0.1Vrms			0.5mA.60 SEC.	
	L(3-5)	L(3-5)	LK(3-5) Tie other	LK(8-7) Tie other	R(3-5)	R(11,12-9,10)	R(8-7)	R(2-1)	Pri:Sec	Pri:drive	Pri:Bias	Pri. TO Sec.	Bias TO Sec.
	150uH ±10%	135uH Min	2.0uH Max	0.4uH Max	0.515Ω MAX	0.023Ω MAX	0.570Ω MAX	0.880Ω MAX	5.0:1±2%	3.2:1±2%	2.25:1±2%	1500VDC	1500VDC
1													
2													
3													
4													
5													

MIN.	0.00	0.000	0.000	0.000	0.00	0.00	0.00	0.00	0.00	0.00	0.00	0.00	0.00
MAX.	0.00	0.000	0.000	0.000	0.00	0.00	0.00	0.00	0.00	0.00	0.00	0.00	0.00
AVG.	#DIV/0!	#DIV/0!	#DIV/0!	#DIV/0!	#DIV/0!	#DIV/0!	#DIV/0!	#DIV/0!	#DIV/0!	#DIV/0!	#DIV/0!	#DIV/0!	#DIV/0!
Result	Passed	0	Passed	0	Passed	Passed	Passed	Passed	Passed	Passed	Passed	Passed	Passed

### 外型尺寸測試

測量工具:卡尺 單位=mm

NO	A1	A2	A3	A4	A5								
		17.20MAX.	21.97MAX.	9.50MAX.	2.5±0.2	0.70±0.1							
1													
2													
3													
4													
5													

MIN.	0.00	0.00	0.00	0.00	0.00								
MAX.	0.00	0.00	0.00	0.00	0.00								
AVG.	#DIV/0!	#DIV/0!	#DIV/0!	#DIV/0!	#DIV/0!								
Result	Passed	Passed	Passed	Passed	Passed								

晶訊編號: Semitel'S MODEL NO. :	EFD15-144	客戶機型: CUSTOMER'S MODEL NO.:	
版本/VERSION :	A	客戶型號: CUSTOMER'S PART NO. :	
日期/DATE :	2016-1-18		