

SPECIFICATION FOR APPROVAL

<p>CUSTOMER'S APPROVAL CHOP</p> <p>Approval's Condition: _____</p> <p>Approved Date: _____</p>
--

KINDLY RETURN A SET WITH YOUR COMPANY'S OFFICIAL STAMP ON APPROVAL OF THIS ITEM

CUSTOMER'S NAME: _____

CUSTOMER'S MODEL NO. : _____

CUSTOMER'S PART NO. : _____

DESCRIPTION: _____
EOP6.5

Semitel'S MODEL NO. : _____
EOP6.5-368

VERSION: _____
A

DATE: _____
2018/11/2

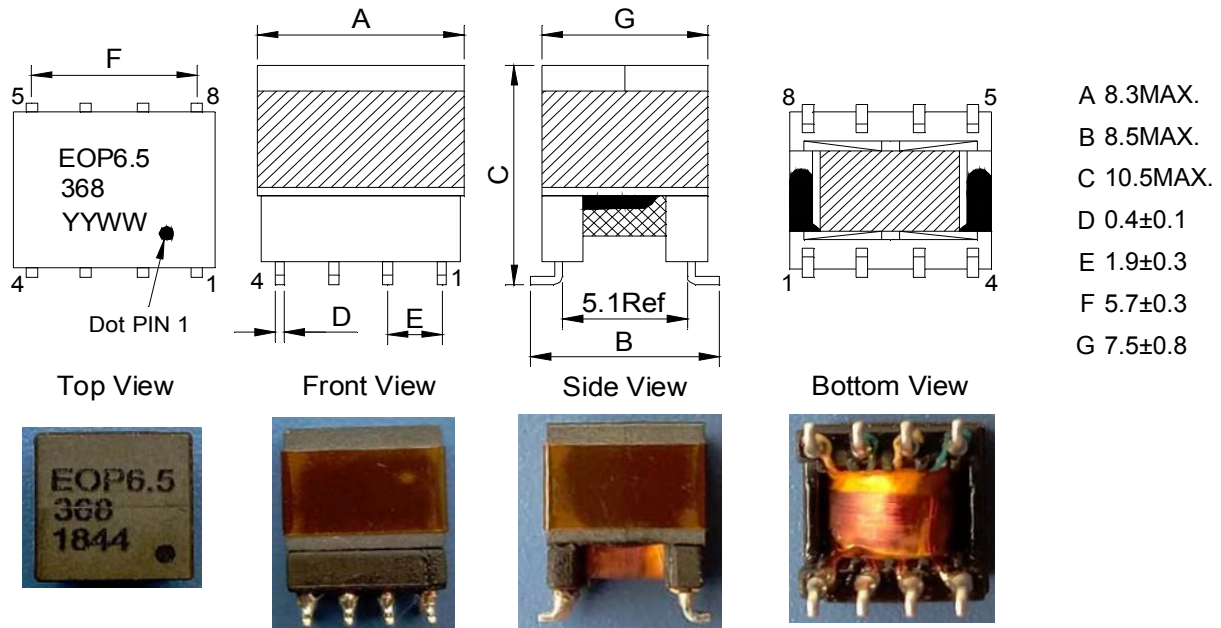
- Attachments:**
- Product Specification
 - Sample Qty. :
 - Test Data

Prepared By	Checked By	Approved By
Hebe Deng 2018/11/2	Liang Wang 2018/11/2	Alan Wong 2018/11/2

Semitel International Ltd.,	TEL: 886-2-86922121 FAX: 886-2-26483379
www.semitelint.com	12F, No.183, Sec.1, Datong Rd., Xizhi Dist., New Taipei City 22145, Taiwan

Product Specification

1. Physical Dimensions (Unit:mm)



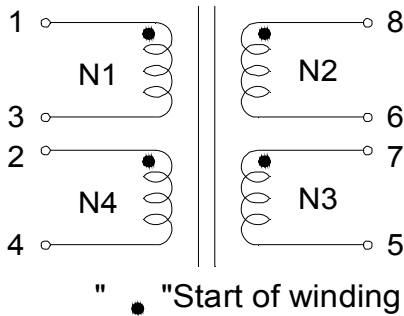
Notes:

- *Marking type is laser printing
- *YY: Year Code; WW: Week Code
- *Size B not including soldering tags
- *Coplanarity Requirement: Less than 0.10mm

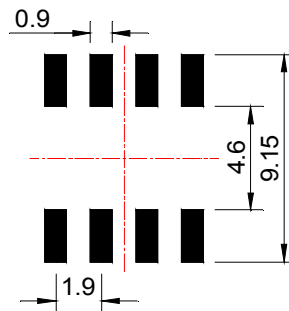
***Marking Rule: EOP6.5-368**



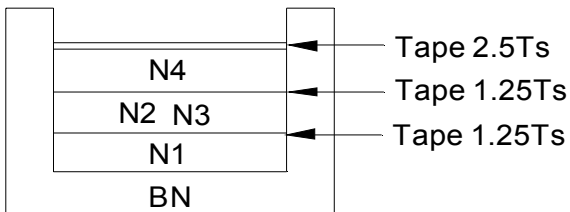
2. Connection



3. Recommended Pad Layout (Unit:mm)



4. Structure of Products



5. No of Turns & Wire Spec

No	No of Pin	Truns	Wire Spec
N1	1 - 3	6 TS	ø0.142mm*2P QPN 180
N2	8 - 6	6 TS	ø0.14mm*1P TIW-F
N3	7 - 5	6 TS	ø0.14mm*1P TIW-F
N4	2 - 4	6 TS	ø0.142mm*2P QPN 180

Semitel'S MODEL NO. :	EOP6.5-368	CUSTOMER'S MODEL NO. :	
VERSION:	A	CUSTOMER'S PART NO. :	
DATE:	2018/11/2		

Product Specification

6. Electrical Characteristics

*Operation temperature: -40°C ~ +85°C

Items	Winding	Specifications	Test Conditions
Inductance	L(1-4) Tie(2-3)	100uH Min.	at 10KHz, 0.1Vrms
LK-Inductance	LK(1-4) Tie(2-3,5-6-7-8)	400nH MAX.	at 100KHz, 0.1Vrms
DCR	R(1-4) Tie(2-3)	1.0Ω MAX.	at 25°C
	R(8-5) Tie(6-7)	1.0Ω MAX.	
Interwinding Capacitance	C(1-8) Tie(1-2-3-4,5-6-7-8)	40pF MAX.	at 100KHz, 0.1Vrms
THD	(1-4) to (8-5) Tie (2-3,6-7)	-58dB MAX.	at 100KHz, 2Vrms
Turns Ratio	(1-4):(8-5) Tie (2-3,6-7)	1:1; ±2%	at 100KHz, 0.1Vrms
Hi-Pot	Pri. to Sec.	1875VAC	1mA. 1SEC

7. Bill of Material

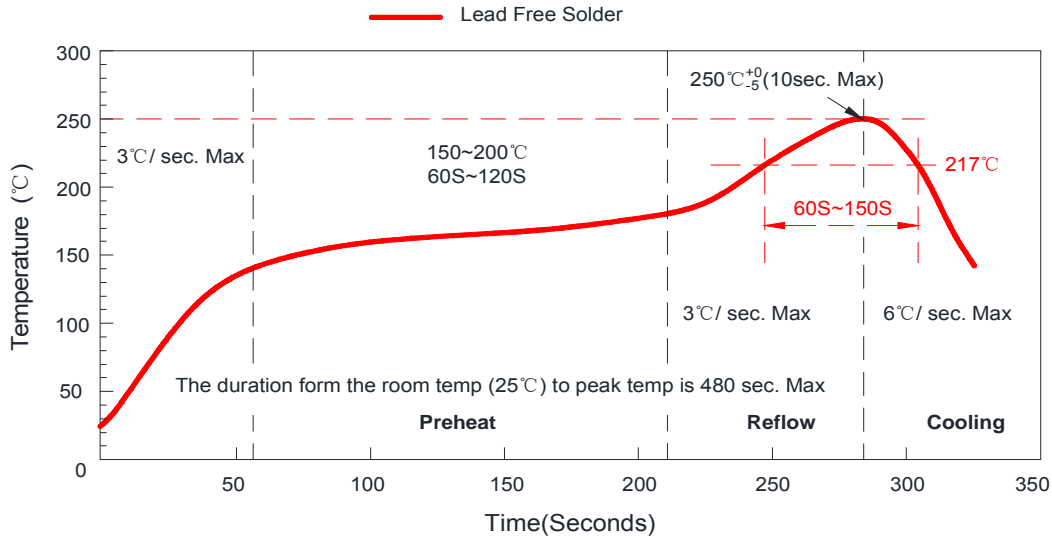
No	Items	Material Name	Manufacturer	UL File No	SGS File No
1	Core	Ferrite core A101	ACME or Equivalent	NIL	CE/2017/A2987B
2	Bobbin	PM9630	SUMITOMO (Sumidurez) or Equivalent	E41429	SHAEC1802754204
3	Wire	enamelled wire QPN180	SUNTEK or Equivalent	E234867	A2180011364102E
4	Wire	Single layer and multilayer insulated wire TIW-FXX	FLUO-TECH or Equivalent	E488352	CANML1723506501
OR	Wire	Single layer and multilayer insulated wire FIW-F*	Yusheng or Equivalent	E332529	SHAEC1718738501
OR	Wire	Single layer and multilayer insulated wire E&B-XXXH-2*	E&B technology or Equivalent	E315265	ECL01J084046001E
5	Insulation tape	YELLOW COLOR 1350F-1(b)	3M or Equivalent	E17385	CE/2018/A2622
6	Polyimide Tape	Brown adhesive plastic 0.025mm V-0	RUNSEA (RAYITEK) or Equivalent	E339977	CANML1808714601
7	EPOXY	TH320	TIANHUAN or Equivalent	E257593	CANEC1719881801
8	EPOXY	EB-360	CHANGFENG or Equivalent	NIL	SHAEC1726002103
8	Solder	Lead free solder	HONGTAI or Equivalent	NIL	CANEC1812220901

Semitel'S MODEL NO. :	EOP6.5-368	CUSTOMER'S MODEL NO. :	
VERSION:	A	CUSTOMER'S PART NO. :	
DATE:	2018/11/2		

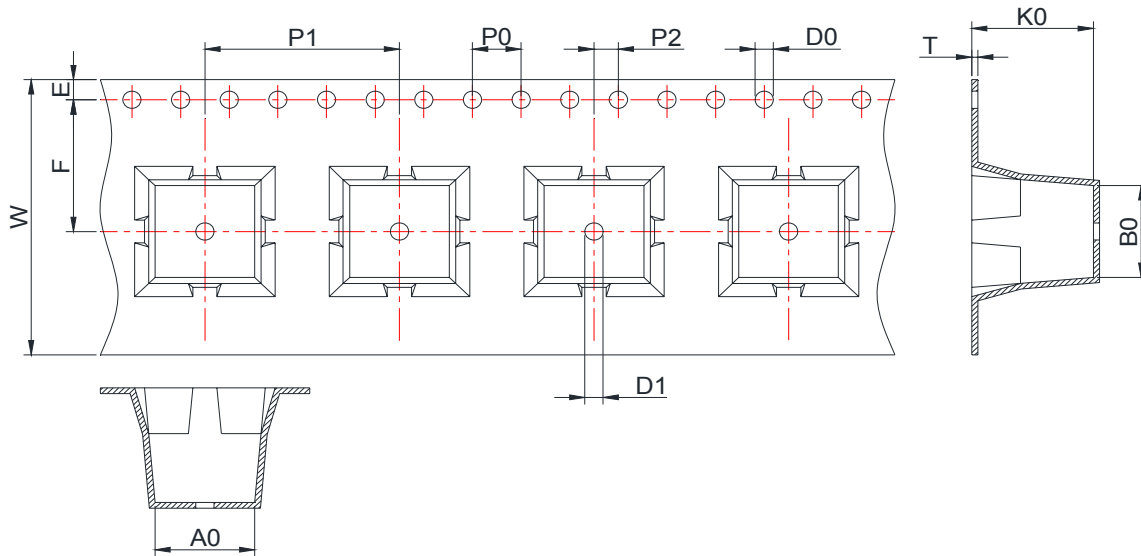
Product Specification

8.Recommended Temperature Conditions of Air Reflow Soldering

Test Solderability Temperature Profile



9.Tape Dimensions (Unit:mm)



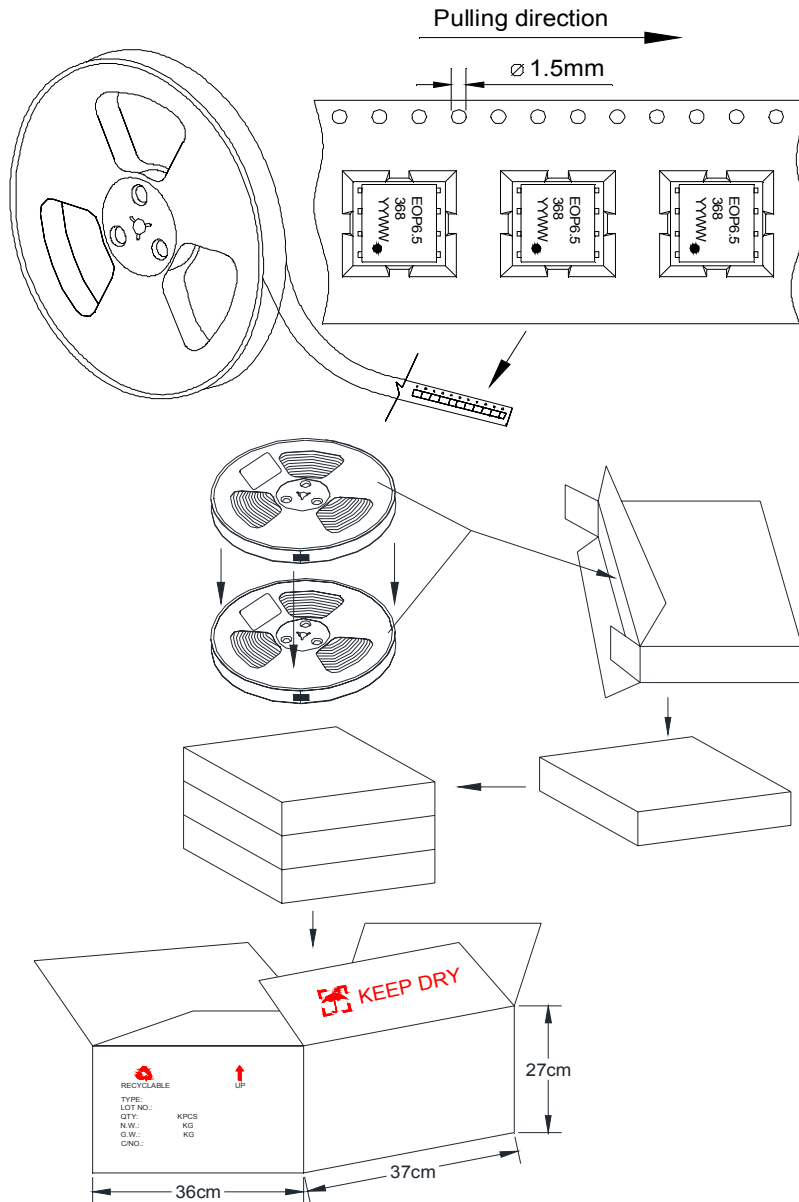
Symbol	A0	B0	K0	P0	P1	P2
Spec	8.20±0.1	8.0±0.1	10.0±0.1	4.0±0.1	16.0±0.1	2.0±0.1
Symbol	W	T	E	F	D0	D1
Spec	24.0±0.3	0.5±0.05	1.75±0.1	11.5±0.1	∅1.5 ^{+0.1} / ₋₀	∅1.5 ^{+0.1} / ₋₀

Semitel'S MODEL NO. :	EOP6.5-368	CUSTOMER'S MODEL NO. :	
VERSION:	A	CUSTOMER'S PART NO. :	
DATE:	2018/11/2		

Product Specification

10.Packing Request

- * Every roll of the carrier tape can contain 350pcs products.
- *Every small packing box contains two rolls of carrier tape. Total quantity: 700pcs.
- *Every carton box contains 3 small packing boxes. Total quantity: 2100pcs.



Semitel'S MODEL NO. :	EOP6.5-368	CUSTOMER'S MODEL NO. :	
VERSION:	A	CUSTOMER'S PART NO. :	
DATE:	2018/11/2		

Test Report

Test Instruments								
	HP4284A	HP4284A	VR131			SYS2702A	HP4284A	CS2670A
NO	Inductance	LK-Inductance	DCR		Interwinding Capacitance	THD	Turns Ratio	Hi-Pot
	at 10KHz,0.1Vrms	at 100KHz,0.1Vrms	at 25°C	at 25°C	at 100KHz,0.1Vrms	at 100KHz,2Vrms	at 100KHz,0.1Vrms	1mA. 1SEC
	L(1-4) Tie(2-3)	LK(1-4) Tie(2-3,5-6-7-8)	R(1-4) Tie(2-3)	R(8-5) Tie(6-7)	C(1-8) Tie(1-2-3-4,5-6-7-8)	(1-4) to (8-5) Tie (2-3,6-7)	(1-4):(8-5) Tie (2-3,6-7)	Pri. to Sec.
	100uH Min.	400nH MAX.	1.0Ω MAX.	1.0Ω MAX.	40pF MAX.	-58dB MAX.	1:1;±2%	1875VAC
1	682.30	240.00	0.128	0.253	12.50	-71.40	PASS	PASS
2	576.80	260.00	0.135	0.253	12.40	-71.80	PASS	PASS
3	640.20	240.00	0.131	0.258	12.70	-72.90	PASS	PASS
4	771.20	270.00	0.136	0.253	12.70	-70.80	PASS	PASS
5	785.30	240.00	0.135	0.255	12.60	-71.60	PASS	PASS
MIN.	576.80	240.00	0.128	0.253	12.40	-72.90		
MAX.	785.30	270.00	0.136	0.258	12.70	-70.80		
AVG.	691.16	250.00	0.133	0.254	12.58	-71.70		
Result	Passed	Passed	Passed	Passed	Passed	Passed	Passed	Passed
Overall Dimensions Test					Measurement Tools: Caliper (Unit:mm)			
NO	A	B	C	D	E	F	G	
	8.3MAX.	8.5MAX.	10.5MAX.	0.4±0.1	1.9±0.3	5.7±0.3	7.5±0.8	
1	7.67	7.79	9.54	0.41	1.84	5.67	7.50	
2	7.66	7.80	9.54	0.40	1.92	5.70	7.47	
3	7.68	7.81	9.57	0.40	1.92	5.70	7.49	
4	7.66	7.80	9.57	0.40	1.91	5.74	7.48	
5	7.69	7.71	9.55	0.40	1.91	5.72	7.50	
MIN.	7.66	7.71	9.54	0.40	1.84	5.67	7.47	
MAX.	7.69	7.81	9.57	0.41	1.92	5.74	7.50	
AVG.	7.67	7.78	9.55	0.40	1.90	5.71	7.49	
Result	Passed	Passed	Passed	Passed	Passed	Passed	Passed	

Semitel'S MODEL NO. :	EOP6.5-368	CUSTOMER'S MODEL NO. :	
VERSION:	A	CUSTOMER'S PART NO. :	
DATE:	2018/11/2		