

## SPECIFICATION FOR APPROVAL

<p><b>CUSTOMER'S APPROVAL CHOP</b></p>  <p>Approval's condition: _____</p> <p>Approved date: _____</p>
--

KINDLY RETURN A SET WITH YOUR COMPANY'S OFFICIAL STAMP  
ON APPROVAL OF THIS ITEM

**CUSTOMER'S NAME:** \_\_\_\_\_

**CUSTOMER'S MODEL NO. :** \_\_\_\_\_

**CUSTOMER'S PART NO. :** \_\_\_\_\_

**DESCRIPTION:** **Dielectric Filter**

**Semitel'S MODEL NO. :** **SE4R5235A180\_8.6\_Xxx**

**VERSION:** **A**

**DATE:** **2022/1/17**

- Attachments:**
- Product Specification
  - Sample Qty. :
  - Test Data

Prepared By	Checked By	Approved By
Hebe Deng 2022/1/17	Liang Wong 2022/1/17	Alan Wong 2022/1/17

Semitel International Ltd.,	TEL: 886-2-86922121      FAX: 886-2-26483379
www.semitelint.com	12F, No.183, Sec.1, Datong Rd., Xizhi Dist., New Taipei City 22145, Taiwan



## 1. FEATURES

- Small Size,Light weight
- SMT package soldering
- Ideal for Microwave telecommunication

## 2. SPECIFICATIONS

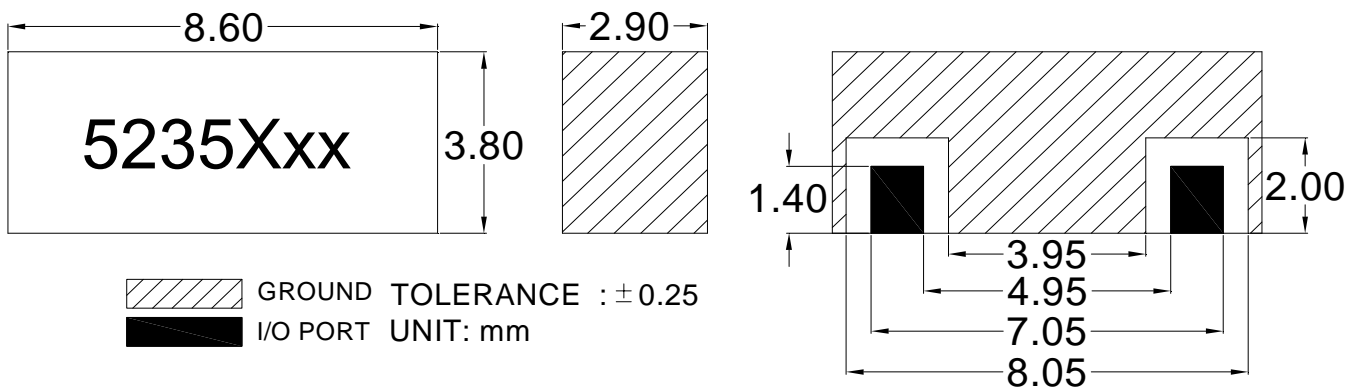
NO.	ITEM	SPEC	UNIT
1	Center Frequency [fo]	5235.0	MHz
2	Bandwidth [BW]	$f_o \pm 90$	MHz
3	Insertion Loss in BW	2.5 max.@5145~5325MHz	dB
4	Ripple in BW	1.3 max	dB
5	Return Loss in BW	10.0 min	dB
6	Attenuations	50.0 min @ 5490 ~ 5850 MHz	dB

## 3. STRUCTURE AND LAYOUTRECOMMENDATION

### 3.1. Filter drawing

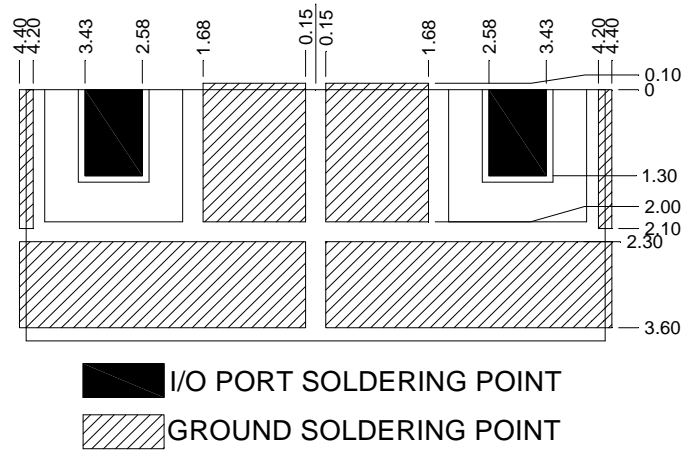
### 3.2 .SE4R5235A180\_8.6\_Xxx

marking showing 5235Xxx(X= A~Z, xx=01~99 mean for project series code. )

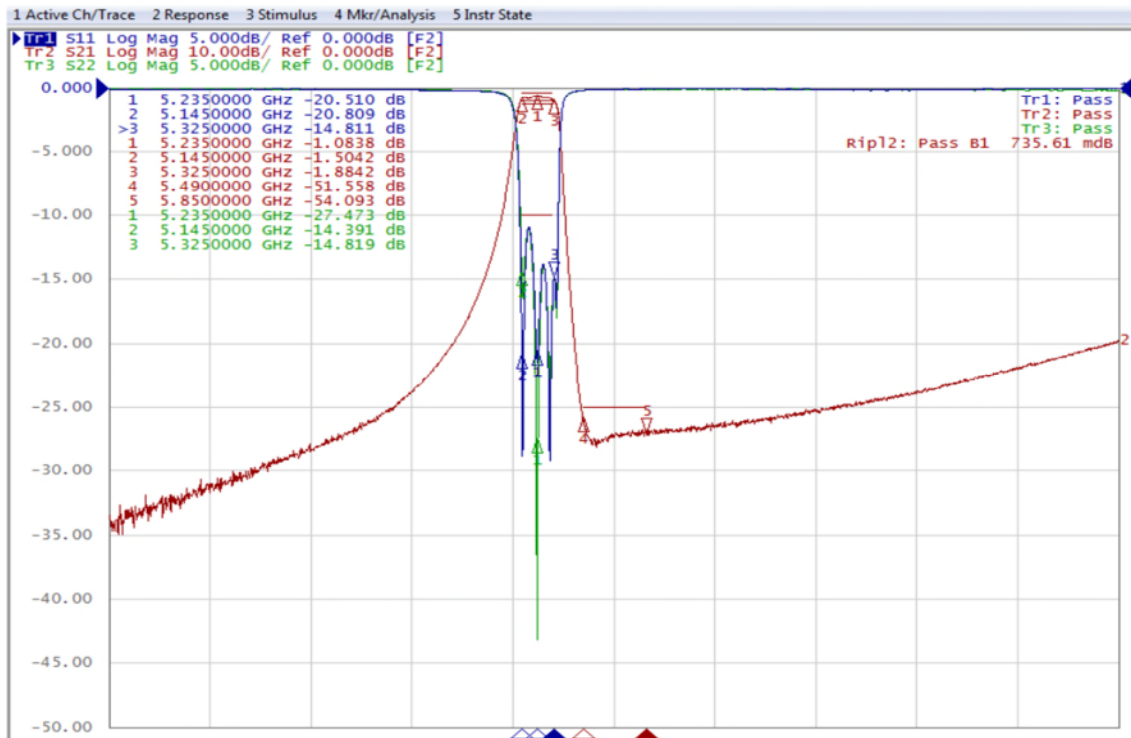


Semitel'S MODEL NO. :	SE4R5235A180_8.6_Xxx	CUSTOMER'S MODEL NO. :	
VERSION:	A	CUSTOMER'S PART NO. :	
DATE:	2022/1/17		

## 4. FOOTPRINT



## 5. ELECTRICAL CHARACTERISTICS CURVE



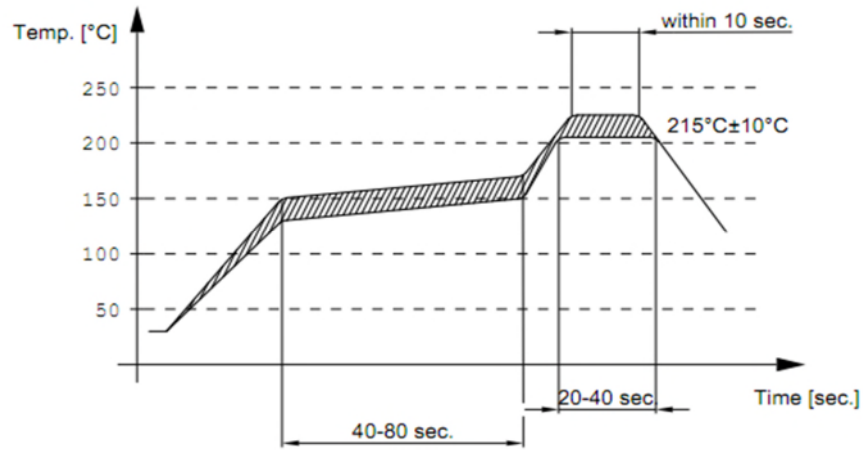
## 6. ABSOLUTE MAXIMUM RATINGS

<b>Operation Temperature</b>	-40°C to +85°C
<b>Storage Temperature</b>	-40°C to +85°C
<b>Input Power</b>	1 w max

Semitel'S MODEL NO. :	SE4R5235A180_8.6_Xxx	CUSTOMER'S MODEL NO. :	
VERSION:	A	CUSTOMER'S PART NO. :	
DATE:	2022/1/17		

## 6.1NOTES

- RoHS 2.0/HSF
- Reflow soldering temperature curve



Semitel'S MODEL NO. :	SE4R5235A180_8.6_Xxx	CUSTOMER'S MODEL NO. :	
VERSION:	A	CUSTOMER'S PART NO. :	
DATE:	2022/1/17		