

SPECIFICATION FOR APPROVAL

CUSTOMER'S APPROVAL CHOP

Approval's condition: _____

Approved date: _____

KINDLY RETURN A SET WITH YOUR COMPANY'S OFFICIAL
STAMP ON APPROVAL OF THIS ITEM

CUSTOMER'S NAME: _____

CUSTOMER'S MODEL NO. : _____

CUSTOMER'S PART NO. : _____

DESCRIPTION: _____

ATQ27

Semitel'S MODEL NO. : _____

ATQ27-455

VERSION: _____

I

DATE: _____

2021/1/6

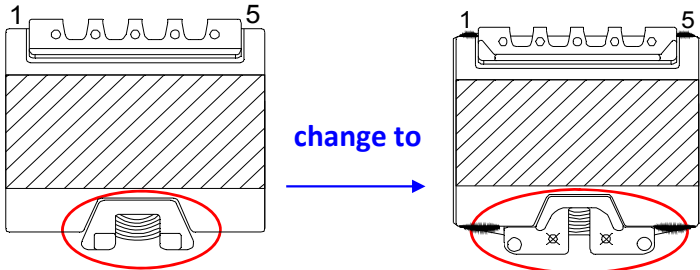
Attachments:

- Product Specification
- Sample Qty. :
- Test Data

Prepared By	Checked By	Approved By
Hebe Deng 2021/1/6	Liang Wong 2021/1/6	Alan Wong 2021/1/6

Semitel International Ltd.,	TEL: 886-2-86922121 FAX: 886-2-26483379
www.semitelint.com	12F, No.183, Sec.1, Datong Rd., Xizhi Dist., New Taipei City 22145, Taiwan

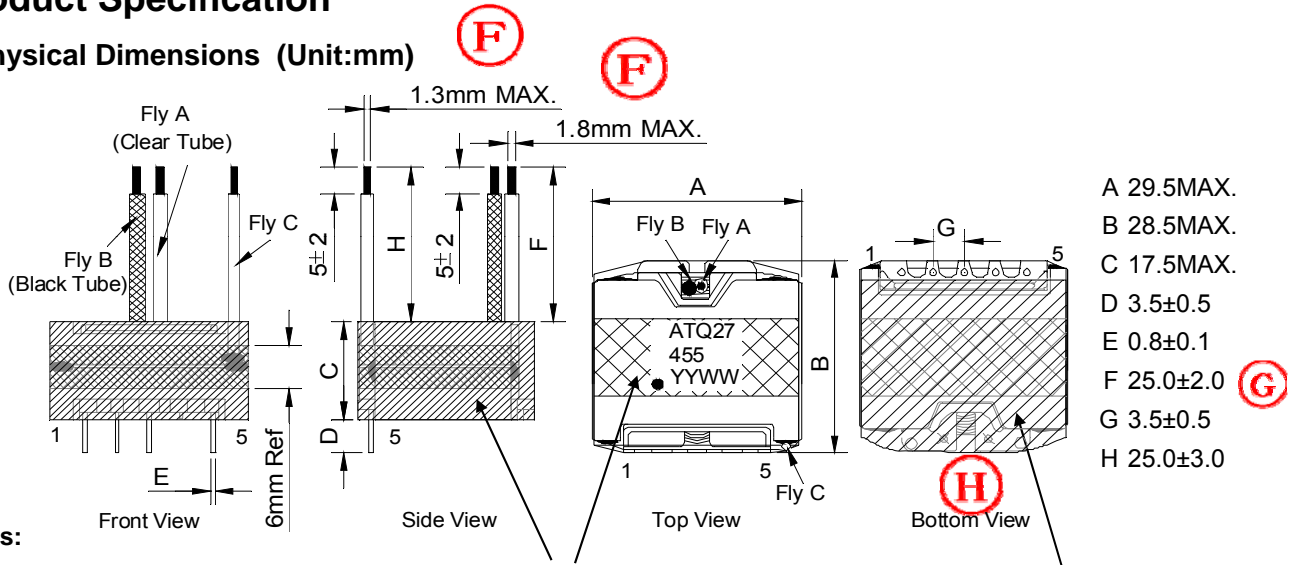
Revision Record

Version	Revision Date	Revision For Items	Reason For Revision
A	2017/12/19	New Revision	-
B	2019/3/26	Product wrapped with copper foil	Customer request
		Dimension A changes from 28.5mm MAX to 29.5mm MAX	Change according to the actual product size
C	2019/4/3	The lead spec changed from $\varnothing 0.5\text{mm}$ three-layer insulated wire to $\varnothing 0.3\text{mm} \times 7\text{P}$ three-layer insulated wire	Customer request
D	2019/8/24	Change the model of the bobbin 	Change according to the actual product
E	2019/9/27	Widen the tape of the core and the tape of wrapping product.	To increase the insulation property of the product
F	2019/10/18	Redefining the dimensions of fly lines	Customer Request
G	2019/11/21	Redefining the dimensions of fly lines	Customer Request
H	2020/3/5	The width of the tape along the direction of the core change from 23mm to 13mm.	Customer Request
		Add the tape(0.05*38mm) to the bottom part of the core.	
I	2021/1/6	The width of the tape change from 16mm to 15mm.	Production needed

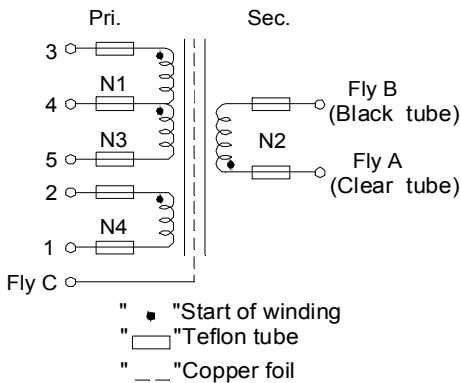
Semitel'S MODEL NO. :	ATQ27-455	CUSTOMER'S MODEL NO. :	
VERSION:	I	CUSTOMER'S PART NO. :	
DATE:	2021/1/6		

Product Specification

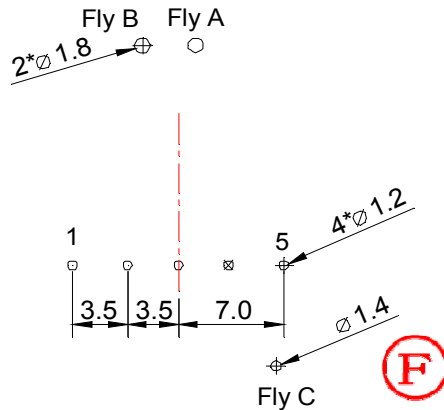
1. Physical Dimensions (Unit:mm)



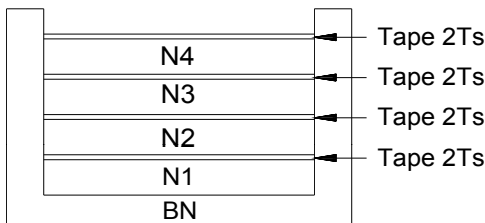
2. Connection



3. Recommended Pad Layout (Unit:mm)



4. Structure of Products



5. No of Turns & Wire Spec

No	No of Pin	Turns	Wire Spec
N1	3 - 4	16 TS	$\varnothing 0.4\text{mm} \times 2\text{P}$ UEF1/U
N2	A - B	4 TS	$\varnothing 0.6\text{mm} \times 2\text{P}$ TIW-FXX
N3	4 - 5	15 TS	$\varnothing 0.4\text{mm} \times 2\text{P}$ UEF1/U
N4	2 - 1	3 TS	$\varnothing 0.3\text{mm} \times 1\text{P}$ UEF1/U



Semitel'S MODEL NO. :	ATQ27-455	CUSTOMER'S MODEL NO. :	
VERSION:	I	CUSTOMER'S PART NO. :	
DATE:	2021/1/6		

Product Specification

6. Electrical Characteristics

Items	Winding	Specifications	Test Conditions
Inductance	L(3-5)	700uH±10%	at 100kHz, 1.0Vrms
LK-Inductance	LK(3-5) Tie other	25uH MAX.	at 100kHz, 1.0Vrms
DCR	R(3-5)	155mΩ MAX.	at 25°C
	R(A-B)	20mΩ MAX.	
	R(2-1)	70mΩ MAX.	
Hi-Pot	Pri. to Sec.	3000VAC	5mA, 1Sec
	Pri&Sec. to Core	1500VAC	5mA, 1Sec

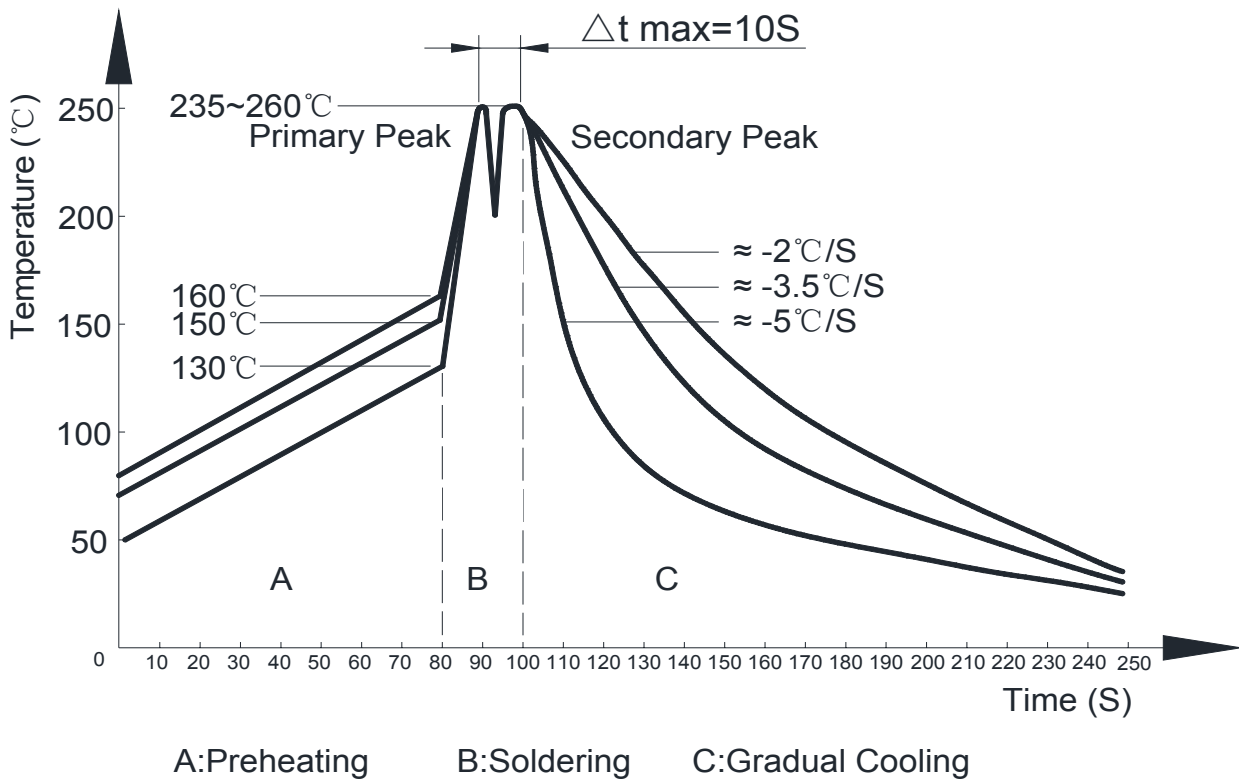
7. Bill of Material

No	Items	Material Name	Manufacturer	Rating	UL File No	SGS File No
1	Core	FERRITE CORE NH9	LIANFENG or Equivalent	N/A	N/A	A2180165199101001C
2	Bobbin	PM-9820	SUMITOMO (SumiDurez) or Equivalent	150°C	E41429	10454584(1)
3	Copper Wire	Polyurethane wire UEF1/U	PACIFIC or Equivalent	155°C	E201757	A2180198365101E
4	Wire	Single layer and multilayer insulated wire TIW-FXX	DONGJU or Equivalent	155°C	E488352	CANML1902556325
5	Insulation tape 	Yellow color 1350T-1 (b)	3M or Equivalent	130°C	E17385	CE/2019/A2251
6	Insulation tape 	Yellow color 1350F-1(b)	3M or Equivalent	130°C	E17385	CE/2019/A2253
OR	Insulation tape	Polyester Mylar Tape (Yellow) CT* (c) (g)	YAHUA or Equivalent	130°C	E165111	CANEC1823352701
7	Teflon Tube	PTFE TUBE TFL	DONGJU or Equivalent	200°C	E478618	CANEC2001542909
8	Copper Foil	Copper Foil C1100	WEN XIANG or Equivalent	N/A	N/A	CANEC1902021901
9	Varnish	8562*	HANG CHEUNG or Equivalent	130°C	E200154	CANEC1800622403
10	Epoxy	EB-360	CHANGFENG or Equivalent	130°C	N/A	SHAEC1826217301
11	Solder	Lead-free solder bar	HONGTAIZHOU or Equivalent	227°C	N/A	CANEC1812220901

Semitel'S MODEL NO. :	ATQ27-455	CUSTOMER'S MODEL NO. :	
VERSION:	I	CUSTOMER'S PART NO. :	
DATE:	2021/1/6		

Product Specification

8.Wave Solder Profile

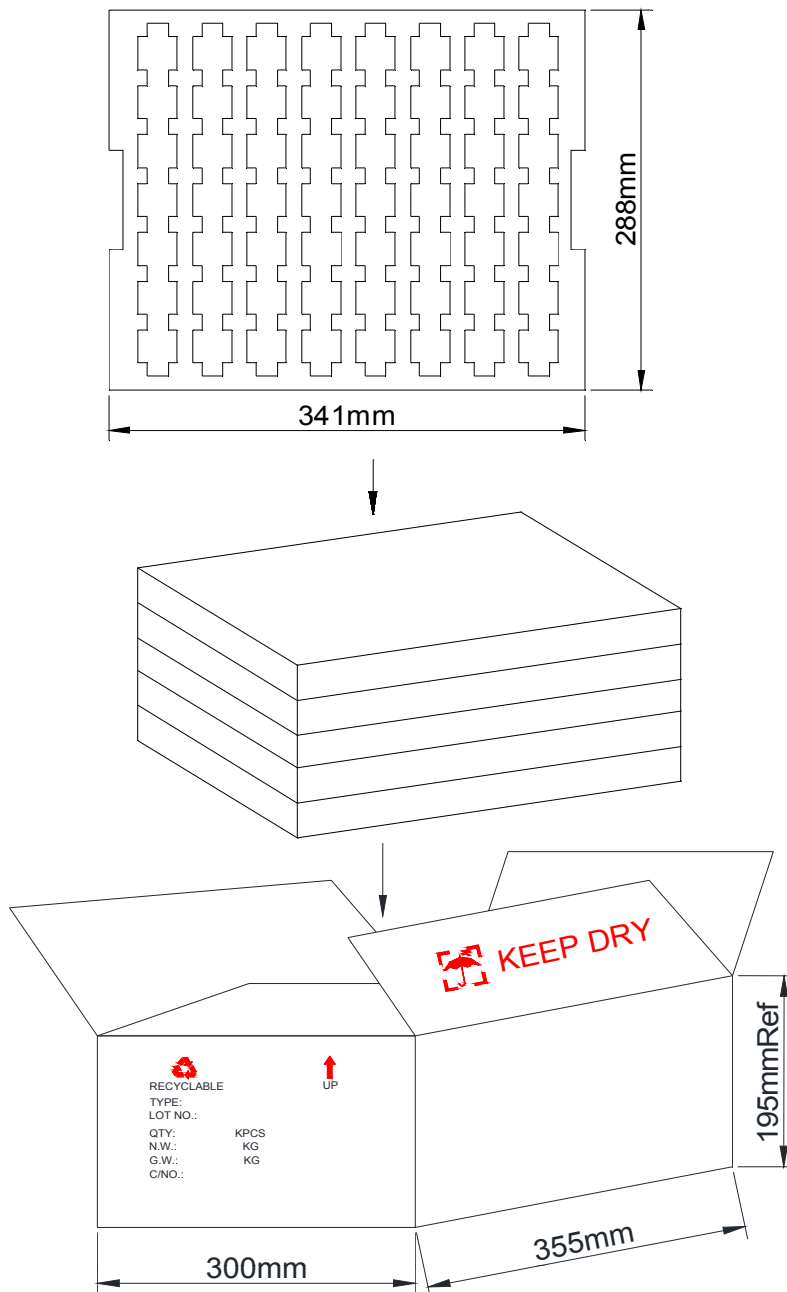


Semitel'S MODEL NO. :	ATQ27-455	CUSTOMER'S MODEL NO. :	
VERSION:	I	CUSTOMER'S PART NO. :	
DATE:	2021/1/6		

Product Specification

9.Packing Request

- (1), Every EPE tray can contain 56pcs products.
- (2), Every carton box contains 5 small EPE trays. Total quantity: 280pcs.



Semitel'S MODEL NO. :	ATQ27-455	CUSTOMER'S MODEL NO. :	
VERSION:	I	CUSTOMER'S PART NO. :	
DATE:	2021/1/6		

Test Report

		Test Instruments							
		HP4284A	HP4284A	VR131			CS2670A		
NO	Inductance	LK-Inductance	DCR			Hi-Pot			
	at 100kHz,1.0Vrms	at 100kHz,1.0Vrms	at 25°C			5mA,1Sec	5mA,1Sec		
	L(3-5)	LK(3-5) Tie other	R(3-5)	R(A-B)	R(2-1)	Pri. to Sec.	Pri&Sec. to Core		
	700uH±10%	25uH MAX.	155mΩ MAX.	20mΩ MAX.	70mΩ MAX.	3000VAC	1500VAC		
1	704.40	3.31	119.90	8.33	53.90	PASS	PASS		
2	703.30	3.35	120.30	8.21	53.70	PASS	PASS		
3	706.60	3.34	120.60	8.29	53.80	PASS	PASS		
4	704.40	3.35	119.80	8.39	53.70	PASS	PASS		
5	713.30	3.36	120.30	8.33	53.70	PASS	PASS		
MIN.	703.30	3.31	119.80	8.21	53.70				
MAX.	713.30	3.36	120.60	8.39	53.90				
AVG.	706.40	3.34	120.18	8.31	53.76				
Result	Passed	Passed	Passed	Passed	Passed		Passed	Passed	

Overall Dimensions Test

Measurement Tools: Caliper (Unit:mm)

NO	A	B	C	D	E	F	G	H	
	29.5MAX.	28.5MAX.	17.5MAX.	3.5±0.5	0.8±0.1	25.0±2.0	3.5±0.5	25.0±3.0	
1	27.40	27.04	16.42	3.68	0.77	25.79	3.61	25.10	
2	27.27	27.25	16.56	3.82	0.76	25.03	3.50	25.02	
3	27.36	27.04	16.56	3.84	0.76	25.66	3.53	25.18	
4	27.37	27.05	16.51	3.82	0.77	25.91	3.52	25.62	
5	27.47	27.13	16.52	3.91	0.76	25.95	3.52	25.71	
MIN.	27.27	27.04	16.42	3.68	0.76	25.03	3.50	25.02	
MAX.	27.47	27.25	16.56	3.91	0.77	25.95	3.61	25.71	
AVG.	27.37	27.10	16.51	3.81	0.76	25.67	3.54	25.33	
Result	Passed	Passed	Passed	Passed	Passed	Passed	Passed	Passed	

Semitel'S MODEL NO. :	ATQ27-455	CUSTOMER'S MODEL NO. :	
VERSION:	I	CUSTOMER'S PART NO. :	
DATE:	2021/1/6		