

SPECIFICATION FOR APPROVAL

<p>CUSTOMER'S APPROVAL CHOP</p> <p>Approval's Condition: _____</p> <p>Approved Date: _____</p>
--

KINDLY RETURN A SET WITH YOUR COMPANY'S OFFICIAL STAMP
ON APPROVAL OF THIS ITEM

CUSTOMER'S NAME: _____

CUSTOMER'S MODEL NO. : _____

CUSTOMER'S PART NO. : _____

DESCRIPTION: _____
ER2014

Semitel'S MODEL NO. : _____
ER2014-532

VERSION: _____
A

DATE: _____
2020/2/11

Attachments:

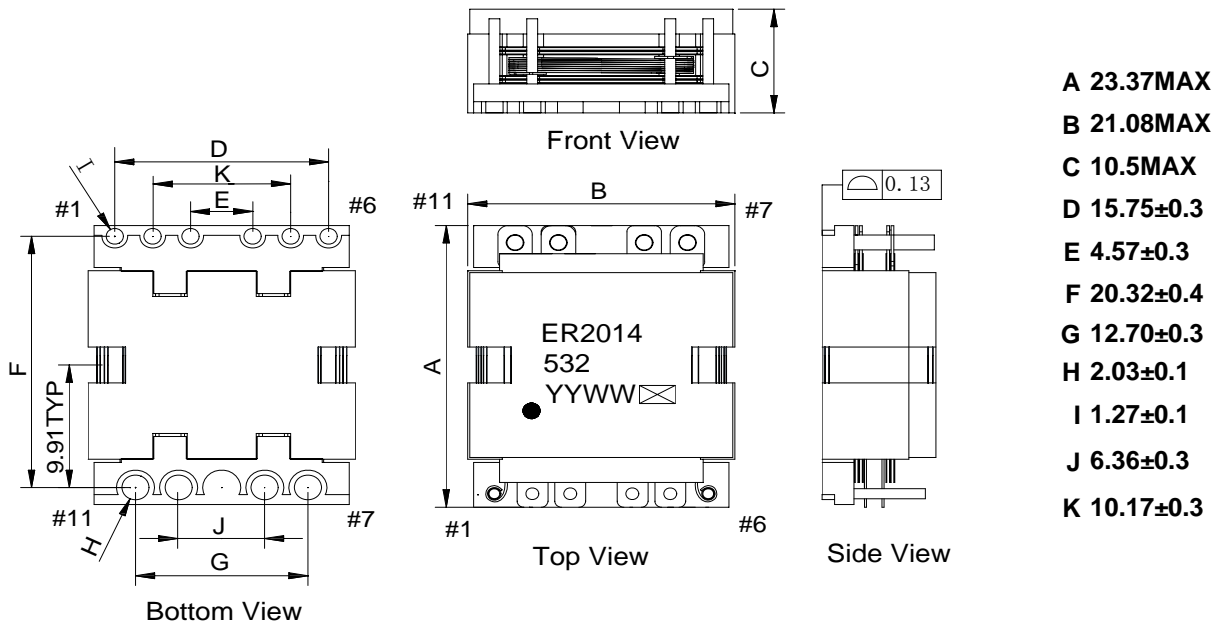
- Product Specification
- Sample Qty. :
- Test Data

Prepared By	Checked By	Approved By
Hebe Deng 2020/02/11	Liang Wong 2020/02/11	Alan Wong 2020/02/11

Semitel International Ltd.,	TEL: 886-2-86922121 FAX: 886-2-26483379
www.semitelint.com	12F, No.183, Sec.1, Datong Rd., Xizhi Dist., New Taipei City 22145, Taiwan

Product Specification

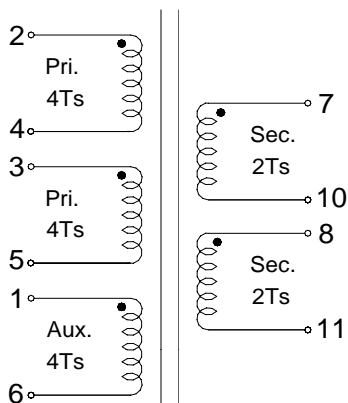
1. Physical Dimensions (Unit:mm)



Notes:

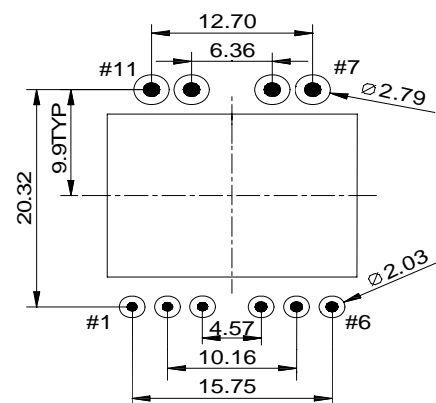
- *Marking type is laser printing
- *YY: Year Code; WW: Week Code
- * :When making samples, S is used to represent the product is a sample.
- * :Use different letters or numbers to represent the products are produced from different production lines .
- *Size B not including epoxy
- *Coplanarity requirement: Less than 0.13mm

2.Connection



" • "Start of winding

3.Recommended Pad Layout (Unit:mm)



Semitel'S MODEL NO. :	ER2014-532	CUSTOMER'S MODEL NO. :	
VERSION:	A	CUSTOMER'S PART NO. :	
DATE:	2020/2/11		

Product Specification

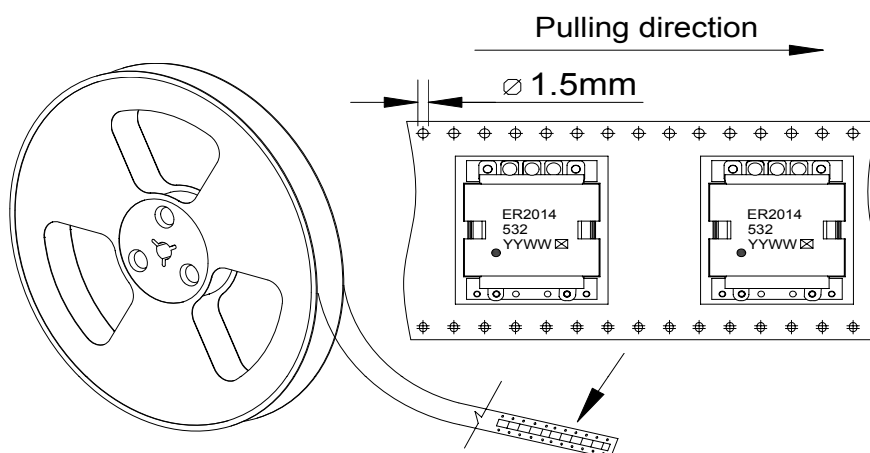
4. Electrical Characteristics

*Electrical specifications at 25°C, Operating temperature -40°C to +125°C

NO	Items	Winding	Specifications	Test Conditions
1	Inductance	L(2-5) Tie(3+4)	153uH MIN	at 10KHz,1.0V
2	LK-Inductance	LK(2-5) Tie(3+4,1+6+7+8+10+11)	0.4uH MAX	at 100KHz,100mV
3	DCR	R(2-4)	5.5mΩ MAX	at 25°C
		R(3-5)	5.5mΩ MAX	
		R(7-10)	2.5mΩ MAX	
		R(8-11)	2.5mΩ MAX	
		R(1-6)	110mΩ MAX	
4	Turns Ratio	(2-4):(3-5)	4:4	at 10KHz,1.0V
		(2-4):(7-10)	4:2	
		(2-4):(8-11)	4:2	
		(1-6):(2-4)	4:4	
5	HI-pot	2-7 Tie(1+3+4,8+10)	2250VDC	1mA 10S

5.Packing Request

*Every roll of the carrier tape can contain TBD pcs products.



Semitel'S MODEL NO. :	ER2014-532	CUSTOMER'S MODEL NO. :	
VERSION:	A	CUSTOMER'S PART NO. :	
DATE:	2020/2/11		