

## SPECIFICATION FOR APPROVAL

<p><b>CUSTOMER'S APPROVAL CHOP</b></p>  <p>Approval's condition: _____</p> <p>Approved date: _____</p>
--

KINDLY RETURN A SET WITH YOUR COMPANY'S OFFICIAL  
STAMP ON APPROVAL OF THIS ITEM

**CUSTOMER'S NAME:** \_\_\_\_\_

**CUSTOMER'S MODEL NO. :** \_\_\_\_\_

**CUSTOMER'S PART NO. :** \_\_\_\_\_

**DESCRIPTION:** \_\_\_\_\_ **EFD20** \_\_\_\_\_

**Semitel'S MODEL NO. :** \_\_\_\_\_ **EFD20-468** \_\_\_\_\_

**VERSION:** \_\_\_\_\_ **A** \_\_\_\_\_

**DATE:** \_\_\_\_\_ **2020/12/15** \_\_\_\_\_

**Attachments:**

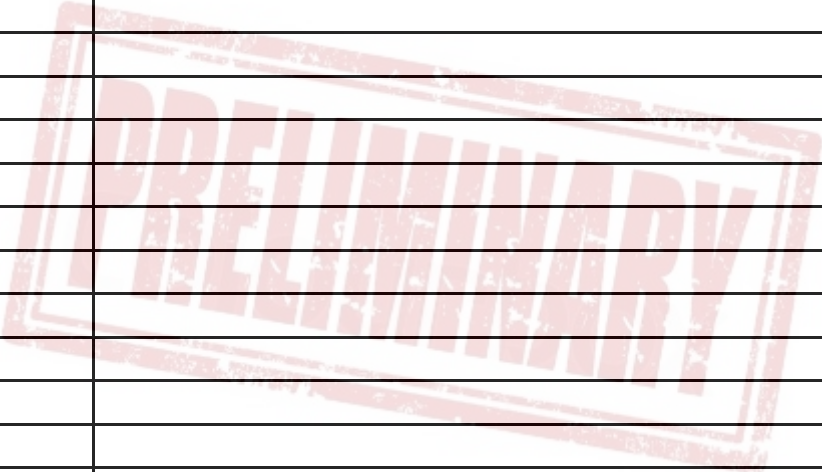
- Product specification
- Sample Qty.:
- Test data

Prepared By	Checked By	Approved By
Hebe Deng 2020/12/15	Liang Wang 2020/12/15	Alan Wong 2020/12/15

Semitel International Ltd.,	TEL: 886-2-86922121      FAX: 886-2-26483379
www.semitelint.com	12F, No.183, Sec.1, Datong Rd., Xizhi Dist., New Taipei City 22145, Taiwan

## Revision Record

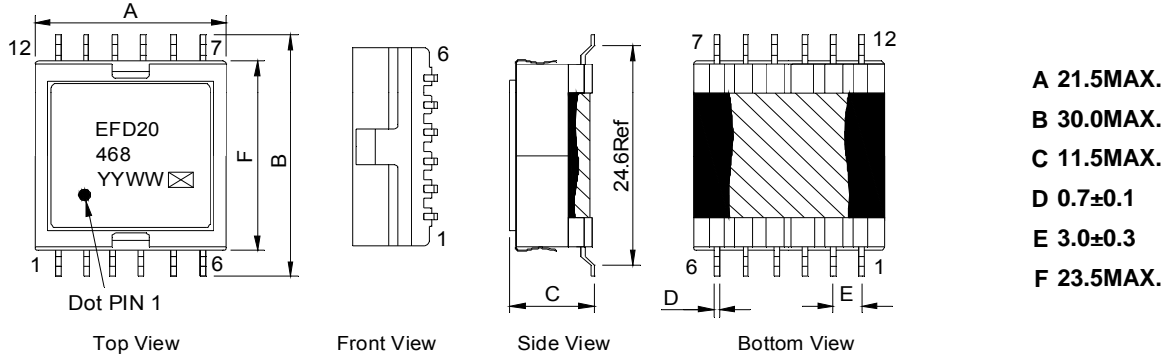
Version	Revision Date	Revision For Items	Reason For Revision
A	2020/12/15	New product for IC PM8005+PM8804 5V 20A	-



Semitel'S MODEL NO. :	EFD20-468	CUSTOMER'S MODEL NO.:	
VERSION :	A	CUSTOMER'S PART NO. :	
DATE :	2020/12/15		

# Product Specification

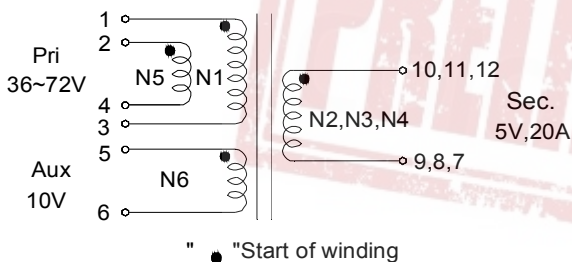
## 1. Physical Dimensions (Unit:mm)



**Notes:**

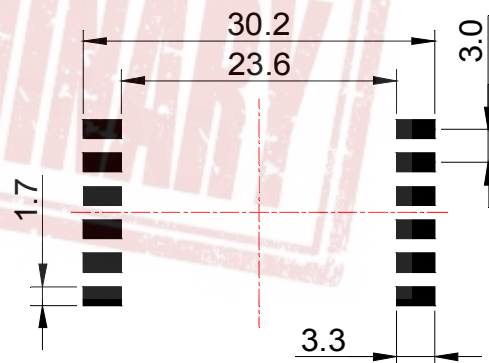
- (1). Marking type is laser printing
- (2). YY: Year Code; WW: Week Code
- (3). :When making samples, S is used to represent the product is a sample
- (4). :Use different letters or numbers to represent the products are produced from different production lines
- (5). Size B not including soldering tags
- (6). Coplanarity Requirement: Less than 0.10mm

## 2. Connection

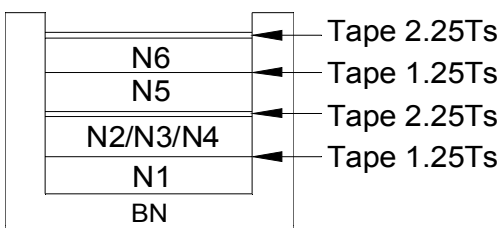


\*Customer to tie terminals 1&2, 3&4, 7&8&9 and 9&10&12 on PC board.  
 \*Application of the transformer allows for the leadwires between terminals 1&2, 3&4, 7&8&9 and 9&10&12 to solder bridge.

## 3. Recommended Pad Layout (Unit:mm)



## 4. Structure of Products



## 5. No of Turns & Wire Spec

No	No of Pin	Turns	Wire Spec
N1	1--3	12 Ts	ø0.21mm*5P P180
N2/N3/N4	10,11,12-- 9,8,7	4 Ts	ø0.28mm*18P P180
N5	2--4	12 Ts	ø0.21mm*5P P180
N6	5--6	8 Ts	ø0.21mm* 2P P180

Semitel'S MODEL NO. :	EFD20-468	CUSTOMER'S MODEL NO.:	
VERSION :	A	CUSTOMER'S PART NO. :	
DATE :	2020/12/15		

## Product Specification

### 6. Electrical Characteristics

\*Operating temperature: -40°C to +125°C.

\*Storage temperature range: -40°C to +125°C .

Items	Winding	Specifications	Test Conditions
Inductance	L(1,2-3,4)	100.5uH MIN	at 250kHz,0.1Vrms
LK-Inductance	LK(1,2-3,4) Tie other	180nH MAX.	at 250kHz,0.1Vrms
DCR	R(1,2-3,4)	26.5mΩ MAX	at 25°C
	R(10,11,12-9,8,7)	3.5mΩ MAX	
	R(5-6)	174mΩ MAX	
Turns Ratio	(1,2-3,4):(10,11,12-9,8,7):(5-6)	12:4:8;±3%	at 250kHz,0.1Vrms
Hi-Pot	Pri. to Sec.	1500VAC	5 mA.3Sec
	Pri. to Aux.	500VAC	5 mA.3Sec
	Win to Core	500VAC	5 mA.3Sec

### 7.Bill of Material

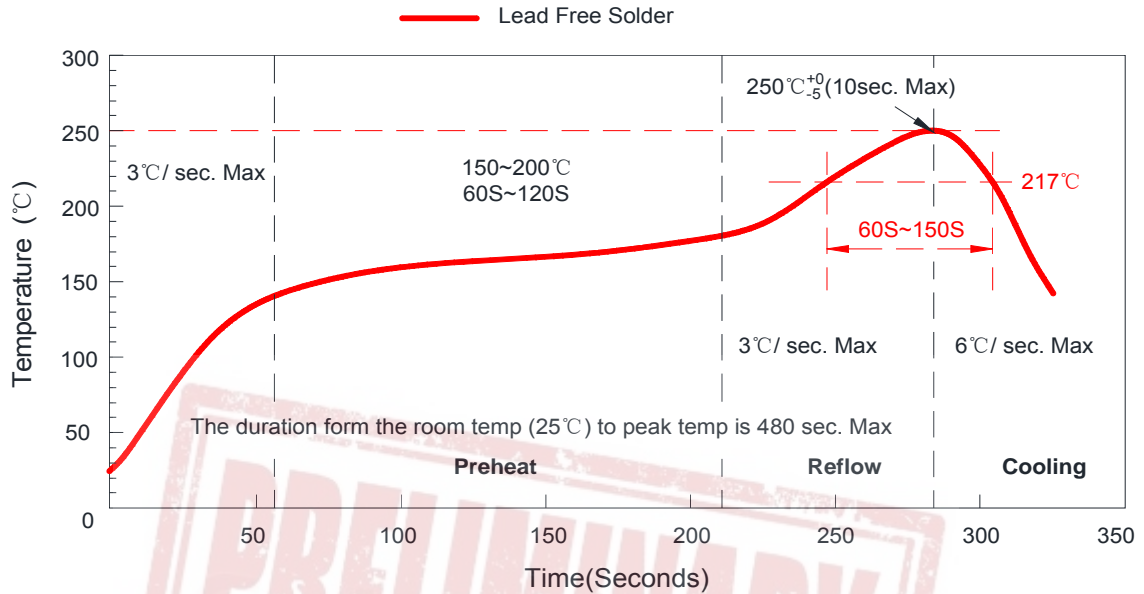
No	Items	Material Name	Manufacturer	UL File No	SGS File No
1	Core	FERRITE CORE JCP-95	FCRI or Equivalent	NIL	CANEC1913430901
2	Bobbin	PM-9630	SUMITOMO (SumiDurez) or Equivalent	E41429	SHAEC2002442505
3	CLIP	SUS301	TONG FENG or Equivalent	NIL	SZXEC2001378801
4	Copper Wire	Polysol 180	ELEKTRISOLA or Equivalent	E258243	CE/2020/34972
OR	Copper Wire	Polyurethane wire UEWH/U	PACIFIC or Equivalent	E201757	A220035992510301E
5	Polyimide Tape	HN,HV,HL,HE NC 0.025mm V-0	RUNSEA (RAYITEK)or Equivalent	E339977	SZXEC2000536905
6	EPOXY	EB-360	CHANGFENG or Equivalent	NIL	SHAEC2022446003
7	Varnish	ZS-NJ-D938XX	ZHAOSHUN or Equivalent	E329120	CANEC2003028910
8	Solder	Lead free solder	HONGTAIZHOU or Equivalent	NIL	SZXEC2001415205

Semitel'S MODEL NO. :	EFD20-468	CUSToMER'S MODEL NO.:	
VERSION :	A	CUSToMER'S PART NO. :	
DATE :	2020/12/15		

## Product Specification

### 8.Recommended Temperature Conditions of Air Reflow Soldering

#### Test Solderability Temperature Profile



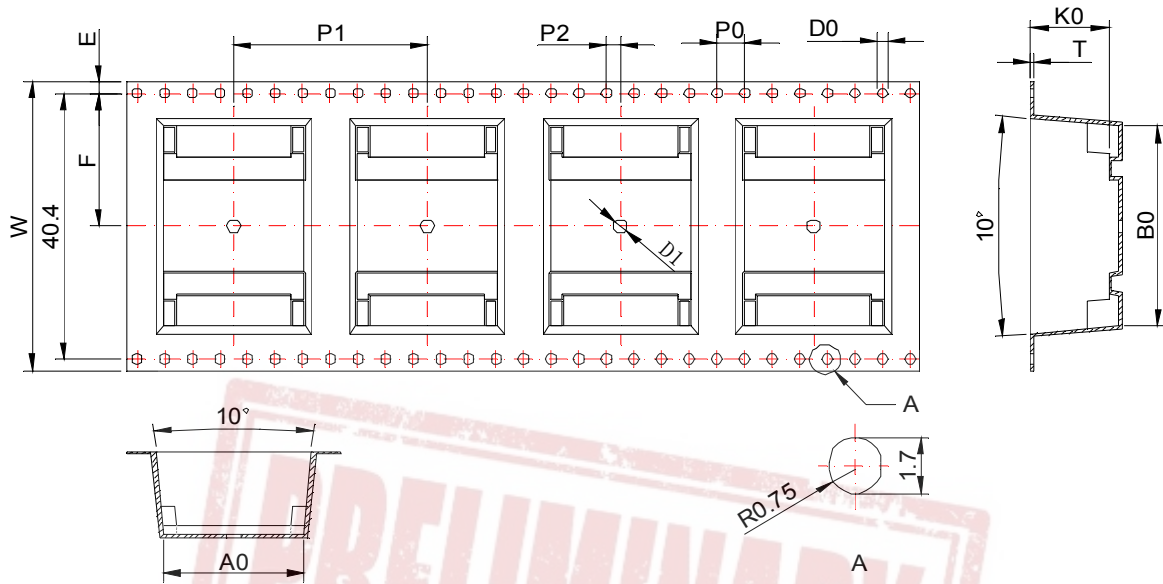
<b>Profile Feature</b>	
Average Ramp-Up Rate (T <sub>smax</sub> to T <sub>p</sub> )	3°C/Second Max.
<b>Preheat</b>	
-Temperature Min. (T <sub>smin</sub> )	150°C
-Temperature Max. (T <sub>smax</sub> )	200°C
-Time (T <sub>smin</sub> to T <sub>smax</sub> )	60-120 Seconds
<b>Time maintained above:</b>	
-Temperature (TL)	217°C
-Time (TL)	60-150 Seconds
Peak/Classification Temperature (T <sub>p</sub> )	250°C
Time within 5°C of actual PeakTemperature (T <sub>p</sub> )	10 Seconds Max.
Ramp-Down Rate	6°C/Second Max.
Time 25°C to Peak Temperature	8 Minutes Max.

<b>Semitel'S MODEL NO. :</b>	<b>EFD20-468</b>	<b>CUSTOMER'S MODEL NO.:</b>	
<b>VERSION :</b>	<b>A</b>	<b>CUSTOMER'S PART NO. :</b>	
<b>DATE :</b>	<b>2020/12/15</b>		

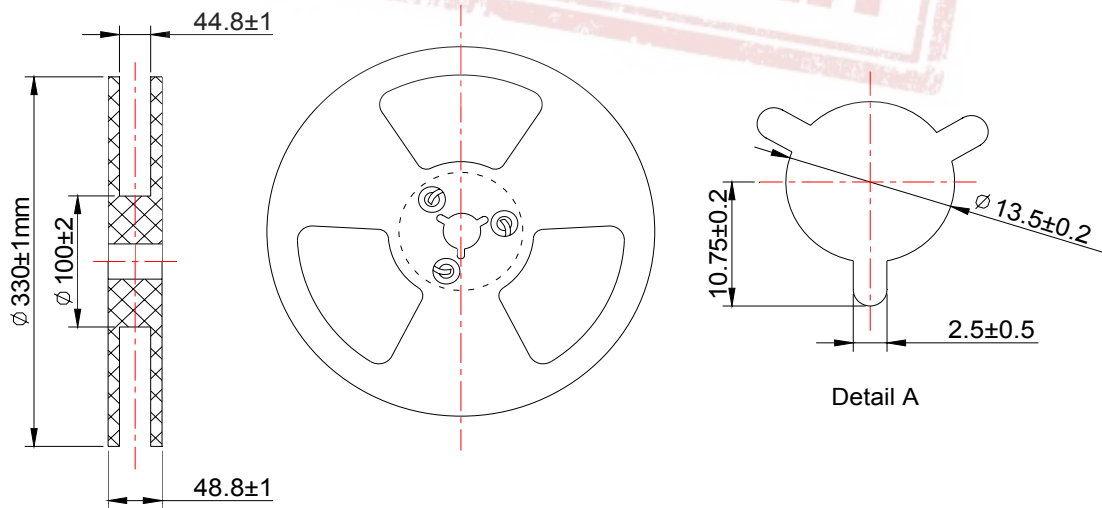
## Product Specification

### 9. Tape and Reel Dimensions (Unit: mm)

\*Packing information is according with EIA-841 standard, When W=32mm and other wider tapes that should have elongated sprocket holds on the other side.



ITEM	A0	B0	K0	P0	P1	P2
DIM	20.3±0.3	30.5±0.3	11.3±0.3	4.0±0.1	28.0±0.1	2.0±0.15
ITEM	W	T	E	F	D0	D1
DIM	44.0±0.3	0.5±0.05	1.75±0.1	20.2±0.15	∅ 1.5±0.1	∅ 2.0±0.1

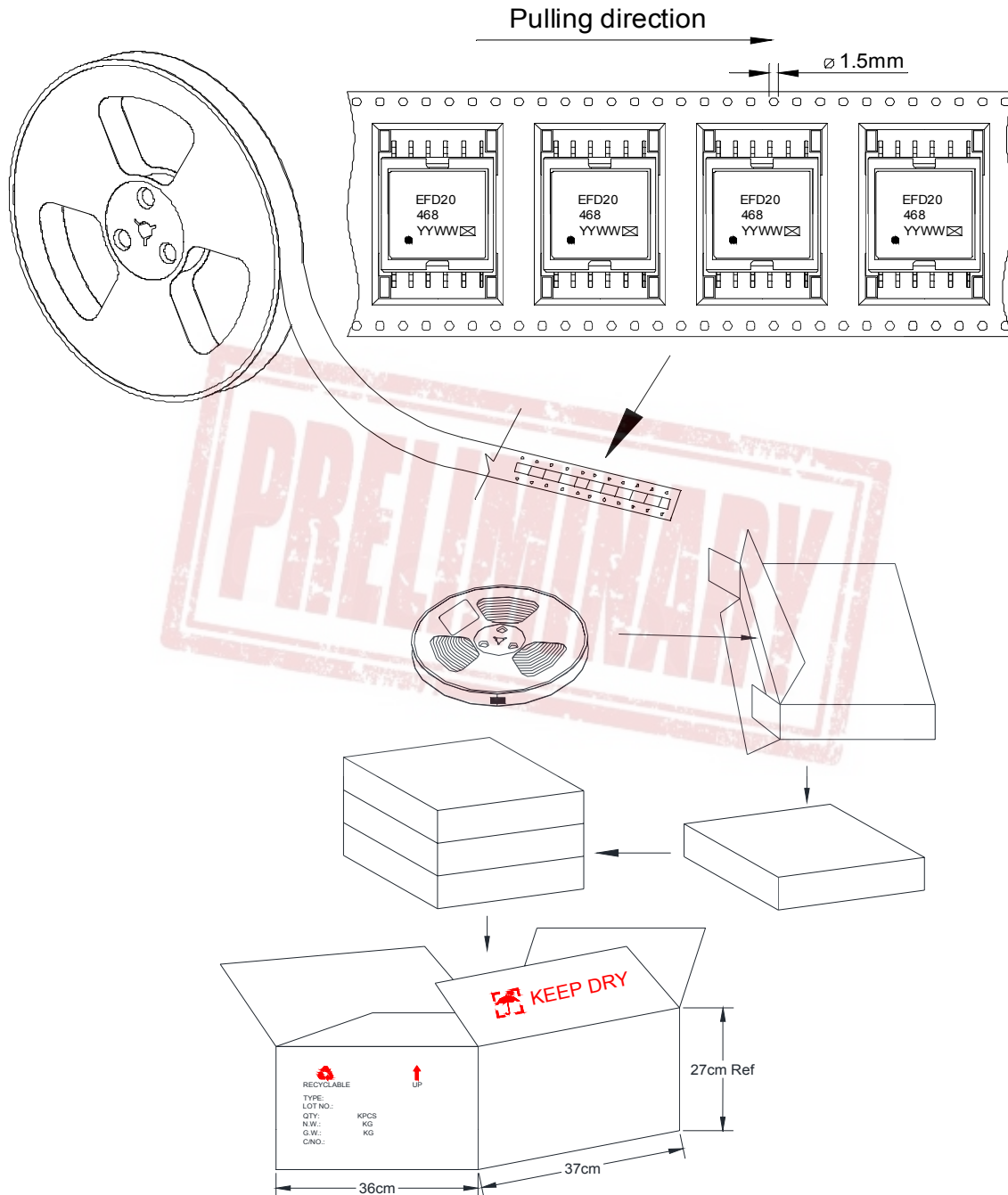


Semitel'S MODEL NO. :	EFD20-468	CUSTOMER'S MODEL NO.:	
VERSION :	A	CUSTOMER'S PART NO. :	
DATE :	2020/12/15		

## Product Specification

### 10.Packing Request

- (1), Every roll of the carrier tape can contain 125pcs products.
- (2), Every small packing box contains one rolls of carrier tape. Total quantity: 125pcs.
- (3), Every carton box contains 3 small packing boxes. Total quantity: 375pcs.



Semitel'S MODEL NO. :	EFD20-468	CUSTOMER'S MODEL NO.:	
VERSION :	A	CUSTOMER'S PART NO. :	
DATE :	2020/12/15		

## Test Report

Test Instruments									
HP4284A		DCR METER 131			HP4284A	CS2670A			
NO	Inductance	LK-Inductance	DCR			Turns Ratio	Hi-Pot		
	at 250kHz,0.1Vrms	at 250kHz,0.1Vrms	at 25°C	at 25°C	at 25°C	at 250kHz,0.1Vrms	5 mA.3Sec	5 mA.3Sec	5 mA.3Sec
	L(1,2-3,4)	LK(1,2-3,4) Tie other	R(1,2-3,4)	R(10,11,12-9,8,7)	R(5-6)	(1,2-3,4):(10,11,12-9,8,7):(5-6)	Pri. to Sec.	Pri. to Aux.	Win to Core
	100.5uH MIN	180nH MAX.	26.5mΩ MAX	3.5mΩ MAX	174mΩ MAX	12:4:8;±3%	1500VAC	500VAC	500VAC
1	127.00	100.00	22.70	2.50	97.00	Passed	Passed	Passed	Passed
2									
3									
4									
5									
MIN.	127.00	100.00	22.70	2.50	97.00				
MAX.	127.00	100.00	22.70	2.50	97.00				
AVG.	127.00	100.00	22.70	2.50	97.00				
<b>Result</b>	<b>Passed</b>	<b>Passed</b>	<b>Passed</b>	<b>Passed</b>	<b>Passed</b>	<b>Passed</b>	<b>Passed</b>	<b>Passed</b>	<b>Passed</b>
<b>Overall Dimensions Test</b>						<b>Measurement Tools: Caliper (Unit:mm)</b>			
NO	A	B	C	D	E	F			
	21.5MAX.	30.0MAX.	11.5MAX.	0.7±0.1	3.0±0.3	23.5MAX.			
1									
2									
3									
4									
5									
MIN.	0.00	0.00	0.00	0.00	0.00	0.00			
MAX.	0.00	0.00	0.00	0.00	0.00	0.00			
AVG.	#DIV/0!	#DIV/0!	#DIV/0!	#DIV/0!	#DIV/0!	#DIV/0!			
<b>Result</b>	<b>Passed</b>	<b>Passed</b>	<b>Passed</b>	<b>Passed</b>	<b>Passed</b>	<b>Passed</b>			

<b>Semitel'S MODEL NO. :</b>	<b>EFD20-468</b>	<b>CUSTOMER'S MODEL NO.:</b>	
<b>VERSION :</b>	<b>A</b>	<b>CUSTOMER'S PART NO. :</b>	
<b>DATE :</b>	<b>2020/12/15</b>		