

SPECIFICATION FOR APPROVAL

<p>CUSTOMER'S APPROVAL CHOP</p> <p>Approval's condition: _____</p> <p>Approved date: _____</p>

KINDLY RETURN A SET WITH YOUR COMPANY'S OFFICIAL STAMP ON APPROVAL OF THIS ITEM

CUSTOMER'S NAME: _____

CUSTOMER'S MODEL NO. : _____

CUSTOMER'S PART NO. : _____

DESCRIPTION: _____

EFD15

Semitel'S MODEL NO. : _____

EFD15-149

VERSION: _____

A

DATE: _____

2016-5-12

Attachments:

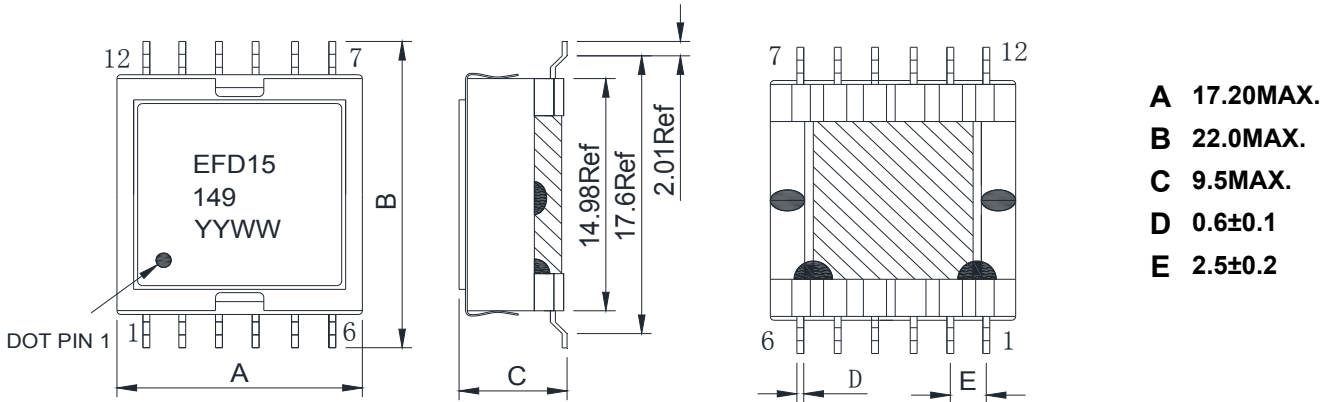
- Product specification
- Sample Qty. :
- Test data

Prepared By	Checked By	Approved By
Hebe Deng 2016/5/12	Liang Wong 2016/5/12	Alan Wong 2016/5/12

Semitel International Ltd.,	TEL: 886-2-86922121 FAX: 886-2-26483379
www.semitelint.com	12F, No.183, Sec.1, Datong Rd., Xizhi Dist., New Taipei City 22145, Taiwan

Product Specification

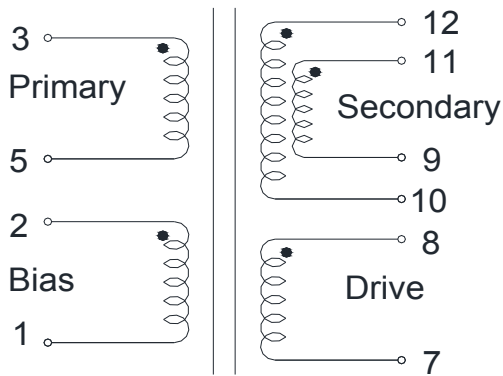
1. Physical Dimensions (Unit:mm)



Notes:

- (1), Marking type is laser printing
- (2), YY: Year Code; WW: Week Code
- (3), Dimension B does not including soldering tags
- (4), Coplanarity requirement: Less than 0.15mm

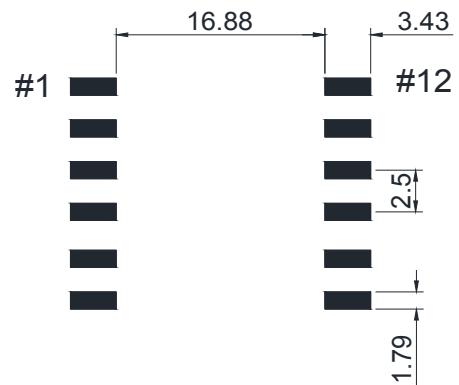
2. Connection



" • "Start of winding

The secondary windings are to be connected in parallel on the PC board.

3. Suggested Pad Layout (Unit:mm)



Semitel'S MODEL NO. :	EFD15-149	CUSTOMER'S MODEL NO. :	
VERSION:	A	CUSTOMER'S PART NO. :	
DATE:	2016-5-12		

Product Specification

4. Electrical Characteristics

*Operating temperature range:-40°C~+125°C

*Storage temperature range:-40°C~+125°C

Items	Winding	Specifications	Test Conditions
Inductance	L(3-5)	166.5uH±10%	at 100kHz,0.1Vrms
Inductance	L(3-5)	150uH MIN.	at 100kHz,0.1Vrms @ 1.2A
LK-Inductance	LK(3-5) Tie other	1.8uH MAX.	at 100kHz,0.1Vrms
	LK(8-7) Tie other	0.25uH MAX.	
DCR	R(3-5)	0.76Ω MAX.	at 25°C
	R(11,12-9,10)	0.103Ω MAX.	
	R(8-7)	0.475Ω MAX.	
	R(2-1)	1.10Ω MAX.	
Turns Ratio	Pri:Sec	1:0.5±2%	at 100kHz,0.1Vrms
	Pri:drive	1:0.25±2%	
	Pri:Bias	1:0.5±2%	
Hi-Pot	Pri. TO Sec.	1500Vrms	0.5mA.60 SEC.
	Bias TO Sec.	1500Vrms	0.5mA.60 SEC.

5. Bill of Material

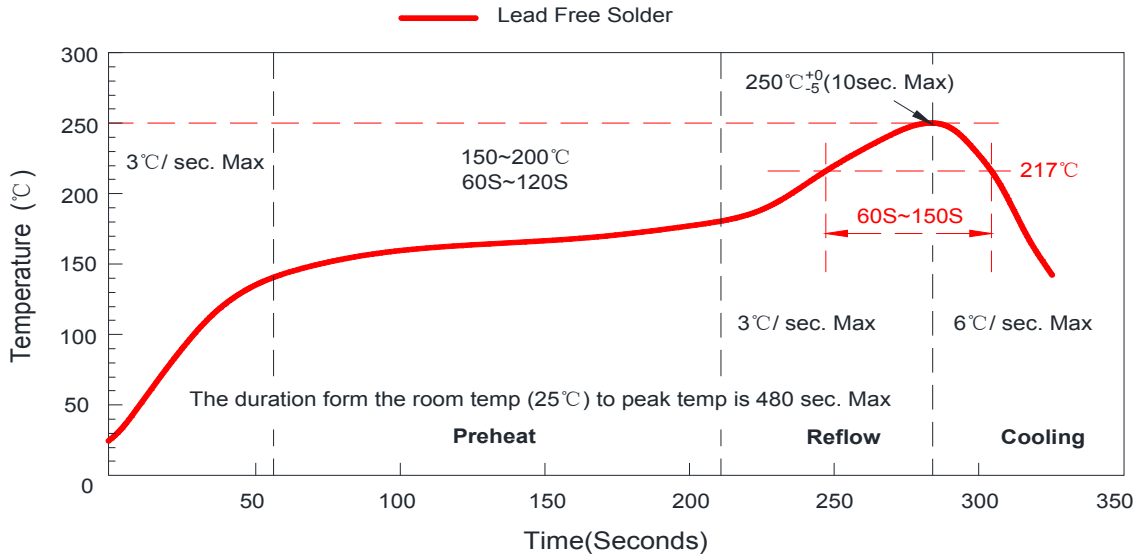
No	Item	Material Name	Manufacturer	UL File No	SGS File No
1	Core	FERRITE CORE P4 or JP4B	ACME or JINNING	NIL	CE/2014/C0424A SHAEC1504591802
2	Bobbin	PM9630	SUMITOMO or Equivalent	E41429	10363385(2)
3	Copper Wire	Polyurethane wire P180	ELEKTRISOLA or Equivalent	E258243	CE/2015/44583
4	Insulation tape	POLYIMIDE FILM	RUNSEA or Equivalent	E339977	CANEC1507074101
5	Epoxy	TH320	TIANHUAN or Equivalent	E257593	CANEC1417094801
6	Epoxy	EB-360	CHANGFENG or Equivalent	NIL	SHAEC1423099403
7	Solder	Lead free solder	HONGTAIZHOU or Equivalent	NIL	CANEC1510999213

Semitel'S MODEL NO. :	EFD15-149	CUSTOMER'S MODEL NO. :	
VERSION:	A	CUSTOMER'S PART NO. :	
DATE:	2016-5-12		

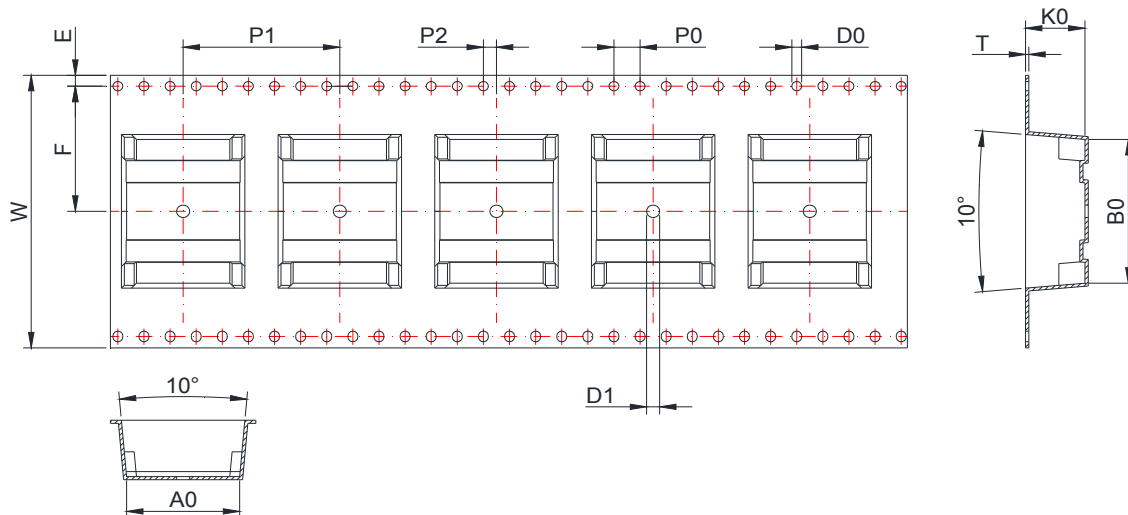
Product Specification

6.Recommended Temperature Conditions of Air Reflow Soldering

Test Solderability Temperature Profile



7.Tape Dimensions (Unit:mm)



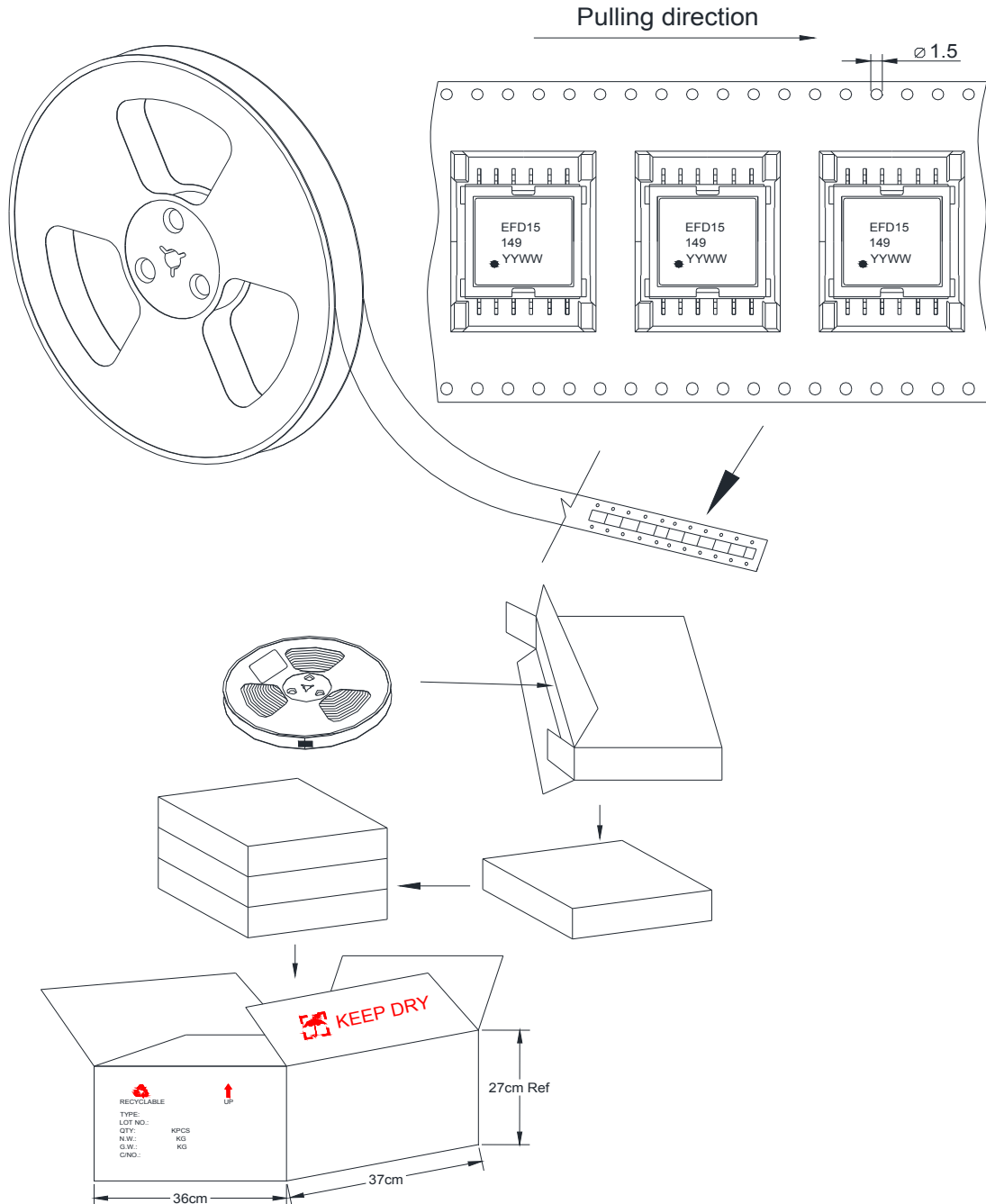
Symbol	A0	B0	K0	P0	P1	P2
Spec	17.30±0.3	23.50±0.3	9.3±0.2	4.0±0.1	24.0±0.1	2.0±0.1
Symbol	W	T	E	F	D0	D1
Spec	44.0±0.3	0.5±0.05	1.75±0.1	20.2±0.1	∅ 1.5 ^{+0.1} ₀	∅ 2.0 ^{+0.1} ₀

Semitel'S MODEL NO. :	EFD15-149	CUSTOMER'S MODEL NO. :	
VERSION:	A	CUSTOMER'S PART NO. :	
DATE:	2016-5-12		

Product Specification

8.Packing Request

- (1), Every roll of the carrier tape can contain 250pcs products.
- (2), Every small packing box contains one rolls of carrier tape. Total quantity: 250pcs.
- (3), Every carton box contains 3 small packing boxes. Total quantity: 750pcs.



Semitel'S MODEL NO. :	EFD15-149	CUSTOMER'S MODEL NO. :	
VERSION:	A	CUSTOMER'S PART NO. :	
DATE:	2016-5-12		

Test Report

Test Instruments													
3250		3250		DCR METER 131				3250			CS2670A		
NO	Inductance		LK-Inductance		DCR				Turns Ratio			Hi-Pot	
	at 100kHz,0.1Vrms	at 100kHz,0.1Vrms @ 1.2A	at 100kHz,0.1Vrms		at 25°C	at 25°C	at 25°C	at 25°C	at 100kHz,0.1Vrms			0.5mA.60 SEC.	
	L(3-5)	L(3-5)	LK(3-5) Tie other	LK(8-7) Tie other	R(3-5)	R(11,12-9,10)	R(8-7)	R(2-1)	Pri:Sec	Pri:drive	Pri:Bias	Pri. TO Sec.	Bias TO Sec.
	166.5uH±10%	150uH MIN.	1.8uH MAX.	0.25uH MAX.	0.76Ω MAX.	0.103Ω MAX.	0.475Ω MAX.	1.10Ω MAX.	1:0.5±2%	1:0.25±2%	1:0.5±2%	1500Vrms	1500Vrms
1													
2													
3													
4													
5													

MIN.	0.00	0.00	0.00	0.00	0.00	0.00	0.00	0.00	0.00	0.00	0.00	0.00	0.00
MAX.	0.00	0.00	0.00	0.00	0.00	0.00	0.00	0.00	0.00	0.00	0.00	0.00	0.00
AVG.	#DIV/0!	#DIV/0!	#DIV/0!	#DIV/0!	#DIV/0!	#DIV/0!	#DIV/0!	#DIV/0!	#DIV/0!	#DIV/0!	#DIV/0!	#DIV/0!	#DIV/0!
Result	Passed	Passed	Passed	Passed	Passed	Passed	Passed	Passed	Passed	Passed	Passed	Passed	Passed

Overall Dimensions Test						Measurement Tools: Caliper (Unit:mm)							
NO	A	B	C	D	E								
		17.20MAX.	22.0MAX.	9.5MAX.	0.6±0.1	2.5±0.2							
1													
2													
3													
4													
5													
MIN.	0.00	0.00	0.00	0.00	0.00								
MAX.	0.00	0.00	0.00	0.00	0.00								
AVG.	#DIV/0!	#DIV/0!	#DIV/0!	#DIV/0!	#DIV/0!								
Result	Passed	Passed	Passed	Passed	Passed								

Semitel'S MODEL NO. :	EFD15-149	CUSTOMER'S MODEL NO. :	
VERSION:	A	CUSTOMER'S PART NO. :	
DATE:	2016-5-12		