

## SPECIFICATION FOR APPROVAL

<p><b>CUSTOMER'S APPROVAL CHOP</b></p>  <p>Approval's condition: _____</p> <p>Approved date: _____</p>
--

KINDLY RETURN A SET WITH YOUR COMPANY'S OFFICIAL STAMP  
ON APPROVAL OF THIS ITEM

**CUSTOMER'S NAME:** \_\_\_\_\_

**CUSTOMER'S MODEL NO. :** \_\_\_\_\_

**CUSTOMER'S PART NO. :** \_\_\_\_\_

**DESCRIPTION:** **Dielectric Filter**

**Semitel'S MODEL NO. :** **SE8R56625A345\_9.36\_Xxx**

**VERSION:** **B**

**DATE:** **2022/12/21**

**Attachments:**

- Product Specification
- Sample Qty. :
- Test Data

Prepared By	Checked By	Approved By
Hebe Deng 2022/12/21	Liang Wong 2022/12/21	Eric Chang 2022/12/21

Semitel International Ltd.,	TEL: 886-2-86922121      FAX: 886-2-26483379
www.semitelint.com	12F, No.183, Sec.1, Datong Rd., Xizhi Dist., New Taipei City 22145, Taiwan



## 1.FEATURES

- Small Size, Light weight
- SMT package soldering
- Ideal for Microwave telecommunication

## 2.SPECIFICATIONS

NO.	ITEM	SPEC	UNIT
1	Center Frequency [fo]	5662.5	MHz
2	Bandwidth [BW]	$f_o \pm 172.5$ 【5490~5835】	MHz
3	Insertion Loss in BW	3.0 max.@5490~5520 MHz	dB
		2.5 max.@5520~5785 MHz	
		3.0 max.@5785~5815 MHz	
		3.5 max.@5825 MHz	
		4.5 max.@5835 MHz	
4	VSWR in BW	2.0 max	ratio
5	Attenuation	50 min. @10~5000MHz 50 min. @5170~5330MHz 35 min. @5925MHz 47 min. @5945MHz 50 min. @5955MHz 50 min. @6005~7125MHz	dB
6	Impedance	50	$\Omega$

^ All Parameters are measured with 50 $\Omega$  system at +25 $^{\circ}$ C if not specified.

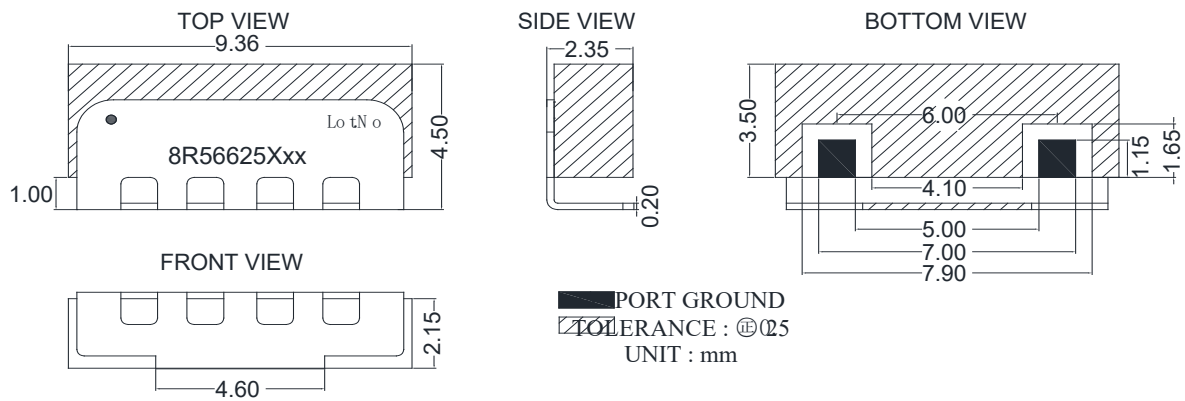
Semitel'S MODEL NO. :	SE8R56625A345_9.36_Xxx	CUSTOMER'S MODEL NO. :	
VERSION:	B	CUSTOMER'S PART NO. :	
DATE:	2022/12/21		

### 3.OUTLINE DRAWING

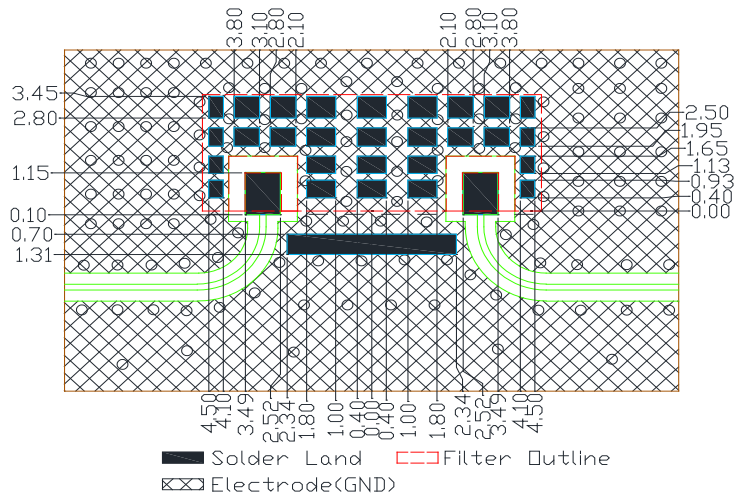
3.1. Filter drawing

3.2. SE8R56625A345\_9.36\_Xxx

marking showing 8R56625Xxx= A~Z, xx=01~99 mean for project series code. )



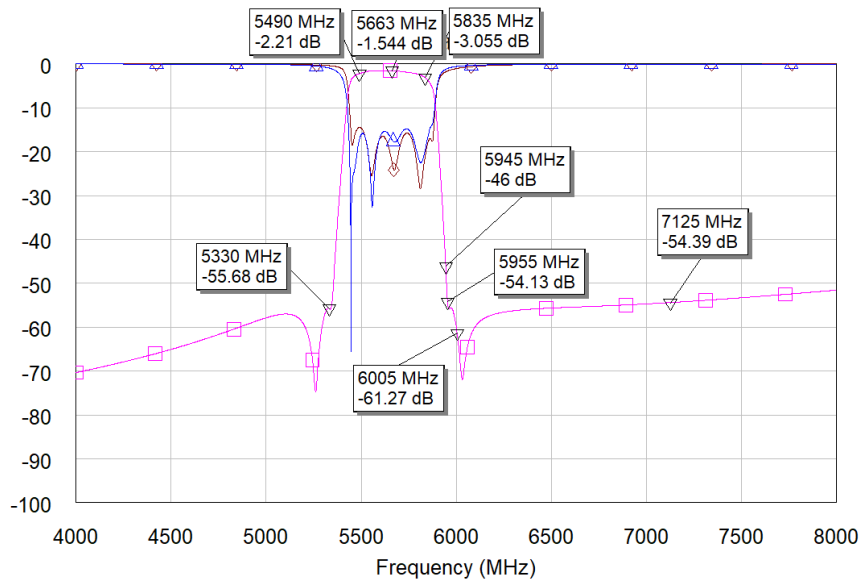
### 4.RECOMMENDED PC BOARD PATTERN



- The recommendation of steel mesh thickness: 0.08mm.
- The recommendation of soldering paste: M705-S101HF(VM)-S4.

Semitel'S MODEL NO. :	SE8R56625A345_9.36_Xxx	CUSTOMER'S MODEL NO. :	
VERSION:	B	CUSTOMER'S PART NO. :	
DATE:	2022/12/21		

## 5.FREQUENCY RESPONSE

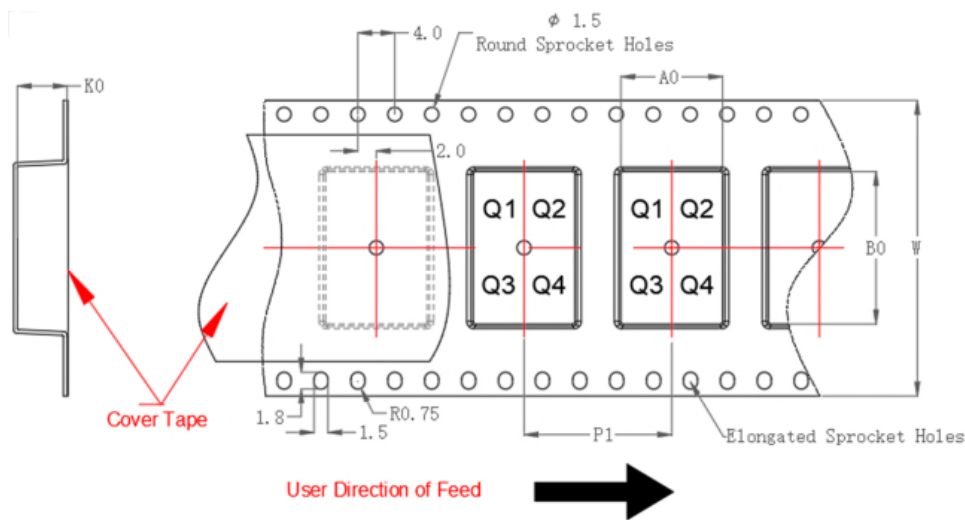
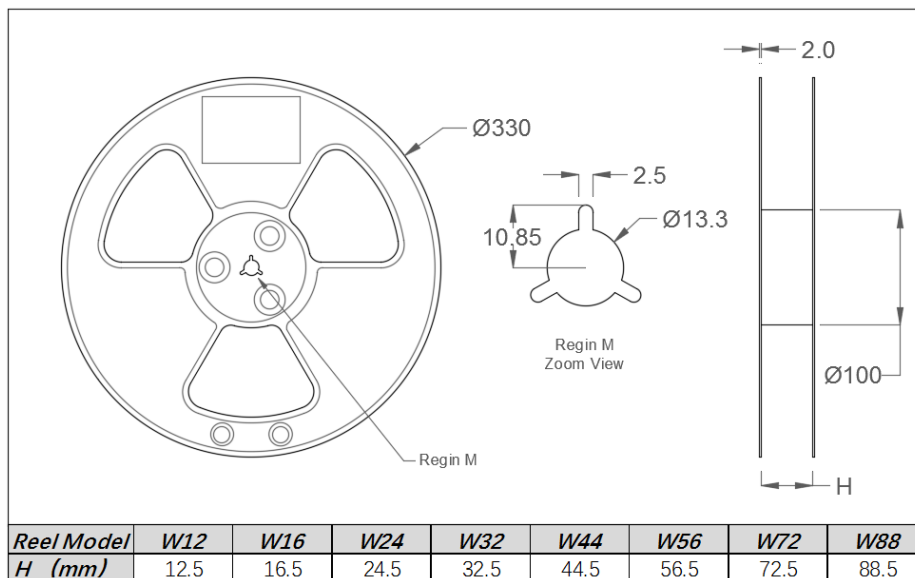


## 6.ABSOLUTE MAXIMUM RATINGS

Operation Temperature Range	-40~+115°C MAX
Storage Temperature Range	-40~+115°C MAX
Input Power	2 W(Average)/20 W(peak)

Semitel'S MODEL NO. :	SE8R56625A345_9.36_Xxx	CUSTOMER'S MODEL NO. :	
VERSION:	B	CUSTOMER'S PART NO. :	
DATE:	2022/12/21		

## 7.PACKAGE INFORMATION



Package Dimension (mm)							
Device	Reel No.	W	A0	B0	K0	P1	Mark Quadrant
SE8R56625A345_9.36_Xxx(8R56625Xxx)	W24	24	5.0	9.8	2.8	12	Q3

Semitel'S MODEL NO. :	SE8R56625A345_9.36_Xxx	CUSTOMER'S MODEL NO. :	
VERSION:	B	CUSTOMER'S PART NO. :	
DATE:	2022/12/21		

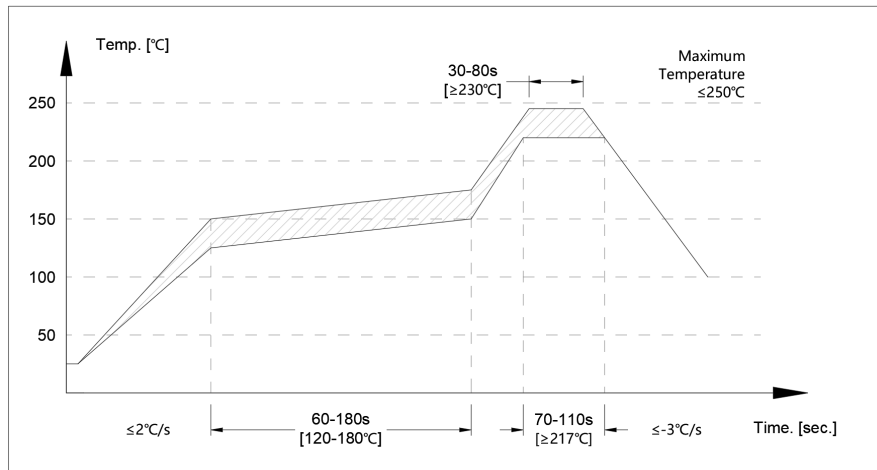
## 8.NOTES

### 1.Reflow condition

1.1 Pb-Free reflow condition is shown in the graph below.

1.2 SAC305 solder paste is recommended.

1.3 The temperature shown in the graph is the surface temperature of the filter body.



- Soldering Iron is prohibited for installation or repairing of the filter.
- Use the hot gas repair station for removing and replacing the filter, do not exceed 250°C (filter surface temperature) during rework.

2.This product is RoHS 2.0 compliant.

3.Moisture Sensitivity Level: MSL-1.

4.The dielectric ceramic filter belongs to brittle products, it is necessary to avoid extreme heat and cold.

5.The solder area under the filter should be divided into smaller patches with narrow strips of resist area. This is to help the evacuation of the gasses generated from the solder paste during reflow process.

6.The filter will be tested on EVB with 50Ω impedance, the performance should completely satisfy the specification requirements.

7.When the surface-mount filter is installed in metal cavity, to achieve best performance of the filter, it is recommended that the filter top is in contact with the metal housing with conductive spring or conductive sponge.

Semitel'S MODEL NO. :	SE8R56625A345_9.36_Xxx	CUSTOMER'S MODEL NO. :	
VERSION:	B	CUSTOMER'S PART NO. :	
DATE:	2022/12/21		