

## SPECIFICATION FOR APPROVAL

<p><b>CUSTOMER'S APPROVAL CHOP</b></p>  <p>Approval's condition: _____</p> <p>Approved date: _____</p>
--

KINDLY RETURN A SET WITH YOUR COMPANY'S OFFICIAL STAMP  
ON APPROVAL OF THIS ITEM

**CUSTOMER'S NAME:** \_\_\_\_\_

**CUSTOMER'S MODEL NO. :** \_\_\_\_\_

**CUSTOMER'S PART NO. :** \_\_\_\_\_

**DESCRIPTION:** **Dielectric Filter**

**Semitel'S MODEL NO. :** **SE4R5670A360\_8.6\_Xxx**

**VERSION:** **A**

**DATE:** **2022/1/17**

**Attachments:**

- Product Specification
- Sample Qty. :
- Test Data

Prepared By	Checked By	Approved By
Hebe Deng 2022/1/17	Liang Wong 2022/1/17	Alan Wong 2022/1/17

Semitel International Ltd.,	TEL: 886-2-86922121      FAX: 886-2-26483379
www.semitelint.com	12F, No.183, Sec.1, Datong Rd., Xizhi Dist., New Taipei City 22145, Taiwan

## Revision Record

Version	Revision Date	Revision For Items	Reason For Revision
A	2022/1/17	New Revision	-

<b>Semitel'S MODEL NO. :</b>	SE4R5670A360_8.6_Xxx	<b>CUSTOMER'S MODEL NO. :</b>	
<b>VERSION:</b>	A	<b>CUSTOMER'S PART NO. :</b>	
<b>DATE:</b>	2022/1/17		

## 1. FEATURES

- Small Size,Light weight
- SMT package soldering
- Ideal for Microwave telecommunication

## 2. SPECIFICATIONS

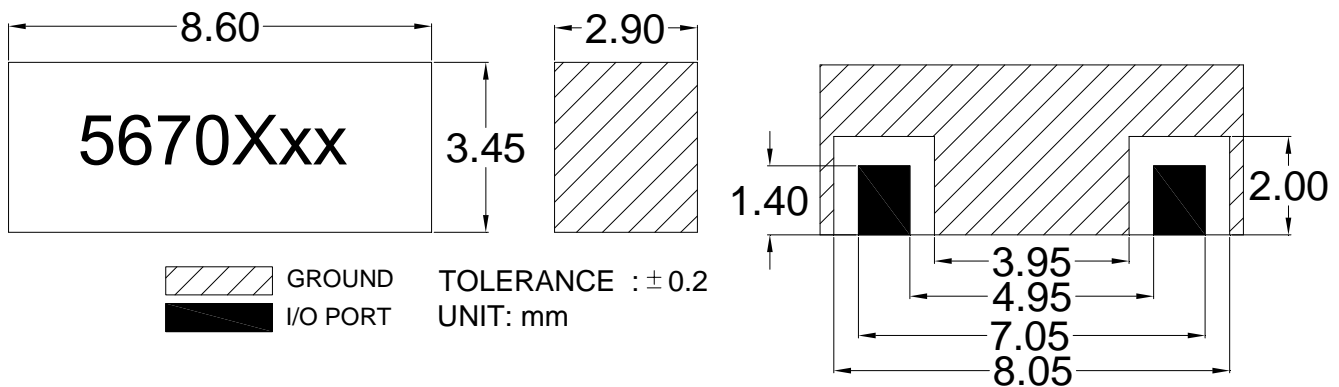
NO.	ITEM	SPEC	UNIT
1	Center Frequency [fo]	5670.0	MHz
2	Bandwidth [BW]	fo±180	MHz
3	Insertion Loss in BW	2.5 max.@5490~5850MHz	dB
4	Ripple in BW	1.3max	dB
5	Return Loss in BW	10.0 min	dB
6	Attenuations	50.0 min @ 5150 ~5330 MHz	dB

## 3. STRUCTURE AND LAYOUTRECOMMENDATION

### 3.1. Filter drawing

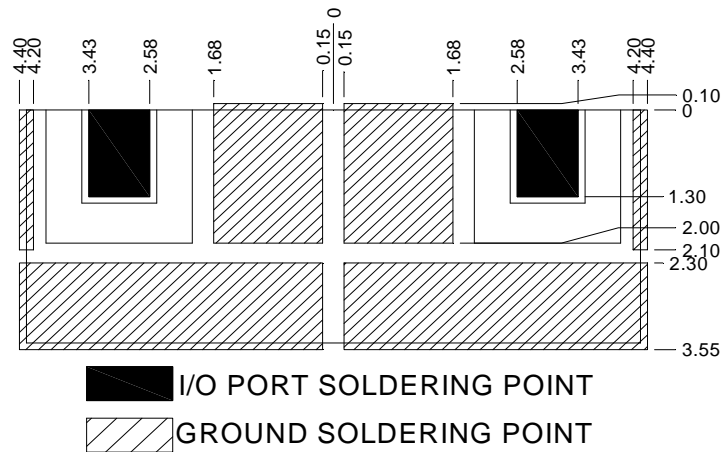
### 3.2 .SE4R5670A360\_8.6\_Xxx

marking showing 5670Xxx(X= A~Z, xx=01~99 mean for project series code. )

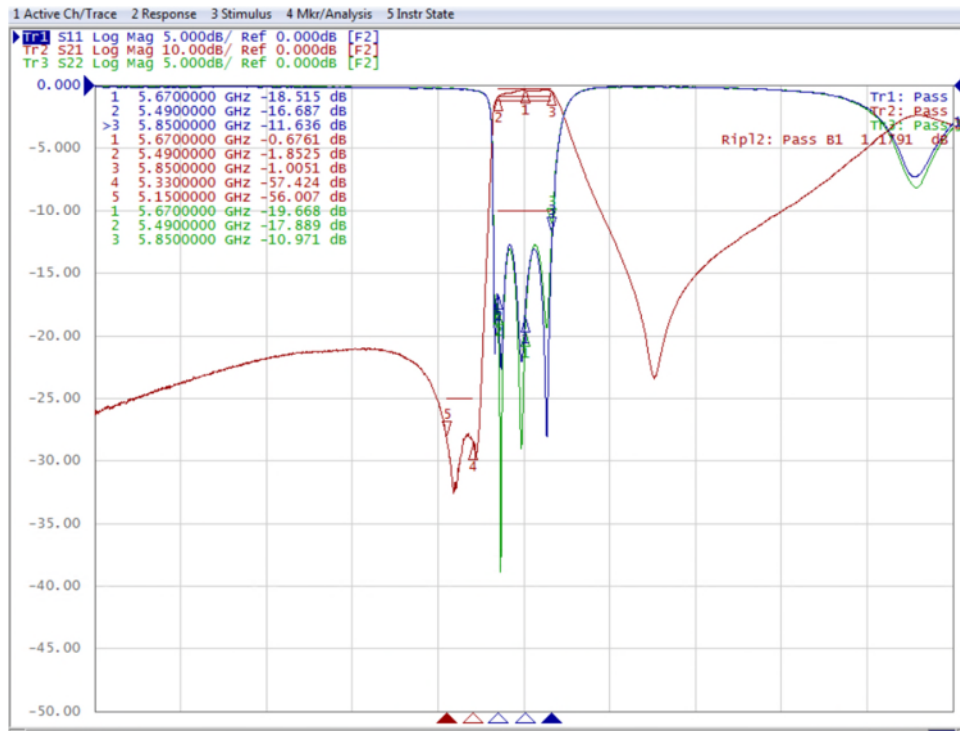


Semitel'S MODEL NO. :	SE4R5670A360_8.6_Xxx	CUSTOMER'S MODEL NO. :	
VERSION:	A	CUSTOMER'S PART NO. :	
DATE:	2022/1/17		

### 4. FOOTPRINT



### 5. ELECTRICAL CHARACTERISTICS CURVE



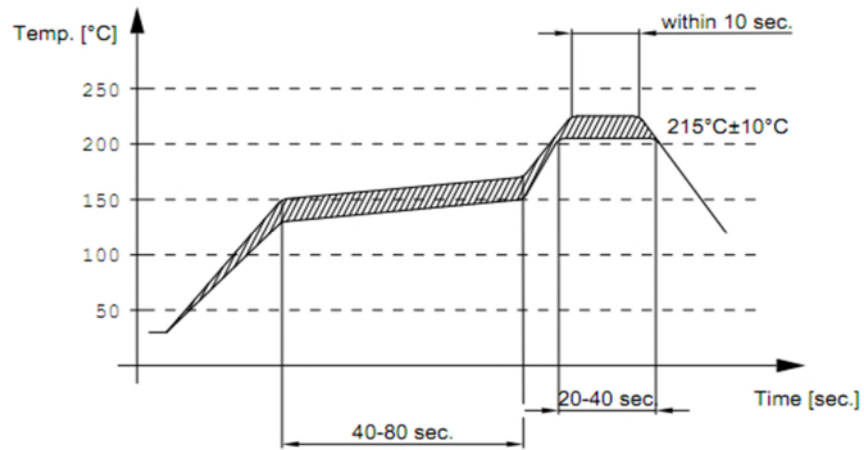
### 6. ABSOLUTE MAXIMUM RATINGS

<b>Operation Temperature</b>	-40°C to +85°C
<b>Storage Temperature</b>	-40°C to +85°C
<b>Input Power</b>	1 w max

Semitel'S MODEL NO. :	SE4R5670A360_8.6_Xxx	CUSTOMER'S MODEL NO. :	
VERSION:	A	CUSTOMER'S PART NO. :	
DATE:	2022/1/17		

## 6.1NOTES

- RoHS 2.0/HSF
- Reflow soldering temperature curve



Semitel'S MODEL NO. :	SE4R5670A360_8.6_Xxx	CUSTOMER'S MODEL NO. :	
VERSION:	A	CUSTOMER'S PART NO. :	
DATE:	2022/1/17		