

## SPECIFICATION FOR APPROVAL

**CUSTOMER'S APPROVAL CHOP**

Approval's condition: \_\_\_\_\_

Approved date: \_\_\_\_\_

KINDLY RETURN A SET WITH YOUR COMPANY'S OFFICIAL  
STAMP ON APPROVAL OF THIS ITEM

**CUSTOMER'S NAME:** \_\_\_\_\_

**CUSTOMER'S MODEL NO. :** \_\_\_\_\_

**CUSTOMER'S PART NO. :** \_\_\_\_\_

**DESCRIPTION:** \_\_\_\_\_

**ETD49**

**Semitel'S MODEL NO. :** \_\_\_\_\_

**ETD49-037**

**VERSION:** \_\_\_\_\_

**A**

**DATE:** \_\_\_\_\_

**2021/1/29**

**Attachments :**

- Product specification
- Sample Qty.:
- Test data

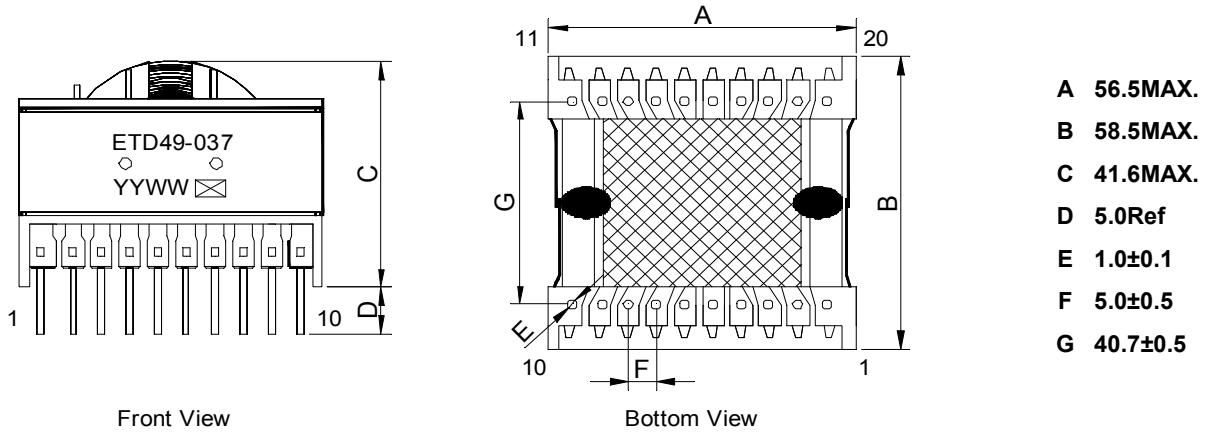
Prepared By	Checked By	Approved By
Hebe Deng 2021/1/29	Liang Wang 2021/1/29	Alan Wong 2021/1/29

Semitel International Ltd.,	TEL: 886-2-86922121      FAX: 886-2-26483379
www.semitelint.com	12F, No.183, Sec.1, Datong Rd., Xizhi Dist., New Taipei City 22145, Taiwan



# Product Specification

## 1. Physical Dimensions (Unit:mm)

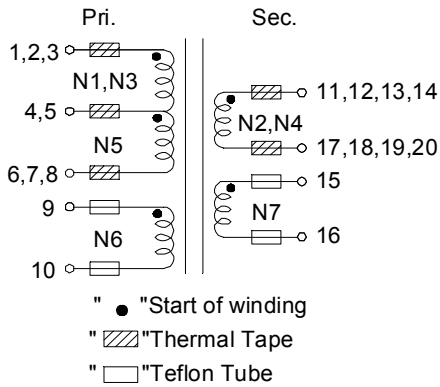


Notes: Front View

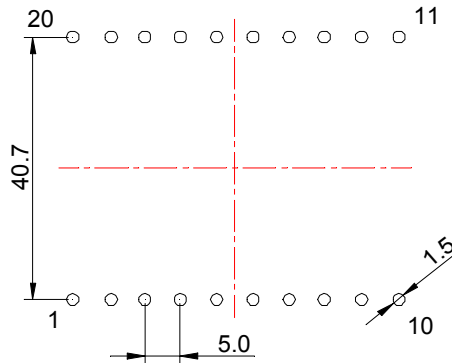
Bottom View

- (1). Marking type is laser printing
- (2). YY: Year Code; WW: Week Code
- (3). :When making samples, S is used to represent the product is a sample.
- (4). :Use different letters or numbers to represent the products are produced from different production lines .
- (5). Size D not including soldering tags

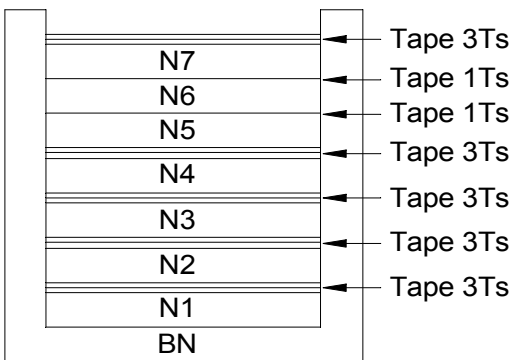
## 2. Connection



## 3. Recommended Pad Layout (Unit:mm)



## 4. Structure of Products



## 5. No of Turns & Wire Spec

No	No of Pin	Turns	Wire Spec
N1	1,2,3-4,5	3 Ts	∅0.10mm*100 LITZ
N2	11,12,13,14-17,18,19,20	4 Ts	∅0.10mm*160*4P LITZ
N3	1,2,3-4,5	3 Ts	∅0.10mm*100 LITZ
N4	11,12,13,14-17,18,19,20	4 Ts	∅0.10mm*160*4P LITZ
N5	4,5-6,7,8	3 Ts	∅0.10mm*100*2P LITZ
N6	9-10	2 Ts	∅0.30mm*1P UEF1/U
N7	15-16	2 Ts	∅0.30mm*1P UEF1/U

Semitel'S MODEL NO. :	ETD49-037	CUSTOMER'S MODEL NO.:	
VERSION :	A	CUSTOMER'S PART NO. :	
DATE :	2021/1/29		

## Product Specification

### 6. Electrical Characteristics

Items	Winding	Specifications	Test Conditions
Inductance	L(1,2,3-6,7,8)	216uH±25%	at 100kHz,1Vrms
LK-Inductance	LK(1,2,3-6,7,8)	0.7uHMAX.	at 100kHz,1Vrms
DCR	R(1,2,3-6,7,8)	20mΩ MAX.	at 25°C
	R(11,12,13,14-17,18,19,20)	6mΩ MAX.	
	R(9-10)	85mΩ MAX.	
	R(15-16)	80mΩ MAX.	
Insulation Resistance	Win. To Win.	100MΩ MIN.	DC500V
	Win. To Core	100MΩ MIN.	DC500V
Hi-Pot	Pri. To Sec.	1000VAC	5mA.60SEC.
	Win. To Core	1000VAC	5mA.60SEC.

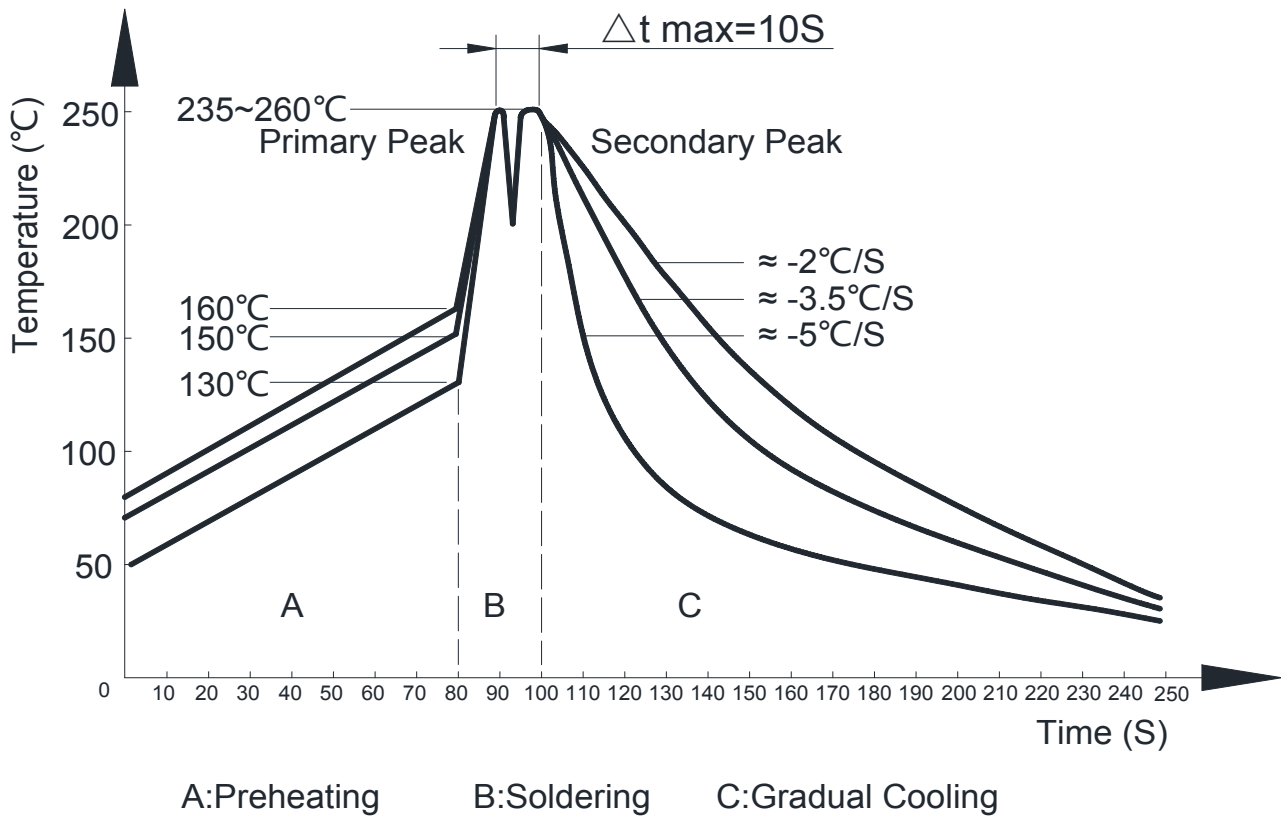
### 7.Bill of Material

No	Item	Material Name	Manufacturer	UL File No	SGS File No
1	Core	FERRITE CORE SSP-95	SUNSHINE or Equivalent	NIL	CANEC2002070201
2	Bobbin	PHENOLIC T375J	CHANG CHUN or Equivalent	E59481	CE/2020/60061
3	Copper Wire	Polyurethane wire UEF1/U	PACIFIC or Equivalent	E201757	A220035992510301 E
4	CLIP	SUS301	TONG FENG or Equivalent	NIL	SZXEC2001378801
5	Teflon Tube	PTFE TUBE TFL	DONGJU or Equivalent	E478618	CANEC2001542909
6	Insulation tape	Polyester Mylar Tape ( Yellow ) CT* (c) (g)	YAHUA or Equivalent	E165111	CANEC2018801701
7	Polyimide Tape	Polyimide Adhesive Tape PF-301	YAHUA or Equivalent	E165111	CANEC2008940301
8	EPOXY	EB-360	CHANGFENG or Equivalent	NIL	SHAEC2022446003
OR	EPOXY	H907-HF	HUA CHUANG or Equivalent	E304477	A2200309495101001
9	Varnish	8562*	HANG CHEUNG or Equivalent	E200154	CANEC2000055005
10	Solder	Lead free solder	HONGTAIZHOU or Equivalent	NIL	SZXEC2001415205

Semitel'S MODEL NO. :	ETD49-037	CUSTOMER'S MODEL NO.:	
VERSION :	A	CUSTOMER'S PART NO. :	
DATE :	2021/1/29		

## Product Specification

### 8.Wave Solder Profile



Semitel'S MODEL NO. :	ETD49-037	CUSTOMER'S MODEL NO.:	
VERSION :	A	CUSTOMER'S PART NO. :	
DATE :	2021/1/29		

### Test Report

Test Instruments											
HP4284A		HP4284A		DCR METER 131				9032B		CS2670A	
NO	Inductance	LK-Inductance	DCR				Insulation Resistance		Hi-Pot		
	at 100kHz,1Vrms	at 100kHz,1Vrms	at 25°C	at 25°C	at 25°C	at 25°C	DC500V		5mA.60SEC.		
	L(1,2,3-6,7,8)	LK(1,2,3-6,7,8)	R(1,2,3-6,7,8)	R(11,12,13,14-17,18,19,20)	R(9-10)	R(15-16)	Win. To Win.	Win. To Core	Pri. To Sec.	Win. To Core	
	216uH±25%	0.7uHMAX.	20mΩ MAX.	6mΩ MAX.	85mΩ MAX.	80mΩ MAX.	100MΩ MIN.	100MΩ MIN.	1000VAC	1000VAC	
1											
2											
3											
4											
5											

MIN.	0.00	0.00	0.00	0.00	0.00	0.00				
MAX.	0.00	0.00	0.00	0.00	0.00	0.00				
AVG.	#DIV/0!	#DIV/0!	#DIV/0!	#DIV/0!	#DIV/0!	#DIV/0!				
<b>Result</b>	<b>Passed</b>	<b>Passed</b>	<b>Passed</b>	<b>Passed</b>	<b>Passed</b>	<b>Passed</b>	<b>Passed</b>	<b>Passed</b>	<b>Passed</b>	<b>Passed</b>

**Overall Dimensions Test** Measurement Tools: Caliper (Unit:mm)

NO	A	B	C	D	E	F	G			
	56.5MAX.	58.5MAX.	41.6MAX.	5.0Ref	1.0±0.1	5.0±0.5	40.7±0.5			
1										
2										
3										
4										
5										

MIN.	0.00	0.00	0.00	0.00	0.00	0.00	0.00			
MAX.	0.00	0.00	0.00	0.00	0.00	0.00	0.00			
AVG.	#DIV/0!	#DIV/0!	#DIV/0!	#DIV/0!	#DIV/0!	#DIV/0!	#DIV/0!			
<b>Result</b>	<b>Passed</b>	<b>Passed</b>	<b>Passed</b>	<b>Passed</b>	<b>Passed</b>	<b>Passed</b>	<b>Passed</b>			

Semitel'S MODEL NO. :	ETD49-037	CUSTOMER'S MODEL NO.:	
VERSION :	A	CUSTOMER'S PART NO. :	
DATE :	2021/1/29		