

## SPECIFICATION FOR APPROVAL

<p><b>CUSTOMER'S APPROVAL CHOP</b></p>  <p>Approval's Condition: _____</p> <p>Approved Date: _____</p>
--

KINDLY RETURN A SET WITH YOUR COMPANY'S OFFICIAL STAMP ON APPROVAL OF THIS ITEM

**CUSTOMER'S NAME:** \_\_\_\_\_

**CUSTOMER'S MODEL NO. :** \_\_\_\_\_

**CUSTOMER'S PART NO. :** \_\_\_\_\_

**DESCRIPTION:** \_\_\_\_\_ **EOP6.5** \_\_\_\_\_

**Semitel'S MODEL NO. :** \_\_\_\_\_ **EOP6.5-365** \_\_\_\_\_

**VERSION:** \_\_\_\_\_ **A** \_\_\_\_\_

**DATE:** \_\_\_\_\_ **2018-10-11** \_\_\_\_\_

**Attachments:**

- Product Specification
- Sample Qty. :
- Test Data

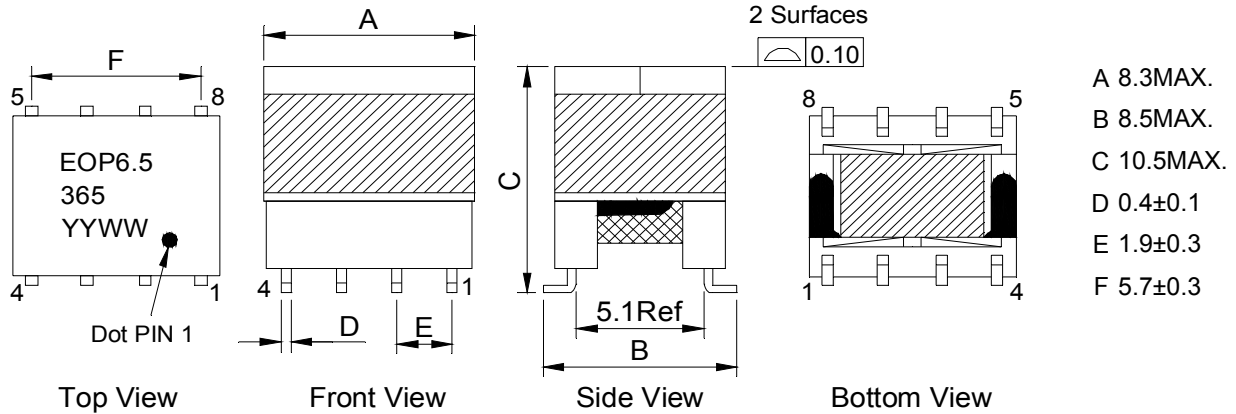
Prepared By	Checked By	Approved By
Hebe Deng 2018/10/11	Liang Wang 2018/10/11	Alan Wong 2018/10/11

Semitel International Ltd.,	TEL: 886-2-86922121      FAX: 886-2-26483379
www.semitelint.com	12F, No.183, Sec.1, Datong Rd., Xizhi Dist., New Taipei City 22145, Taiwan



# Product Specification

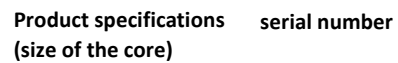
## 1. Physical Dimensions (Unit:mm)



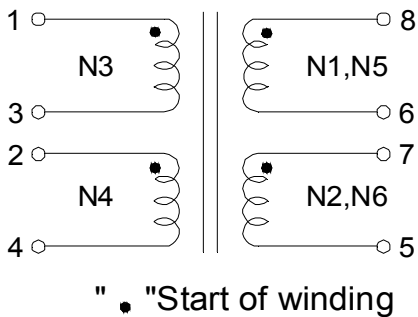
**Notes:**

- \*Marking type is laser printing
- \*YY: Year Code; WW: Week Code
- \*Size B not including soldering tags
- \*Coplanarity Requirement: Less than 0.10mm
- \*ITDSC Model:SN6.5AC

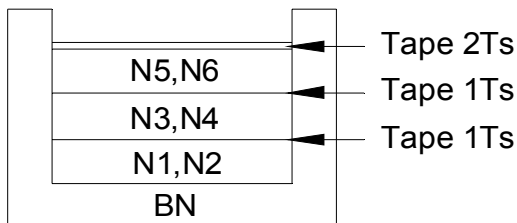
**\*Marking Rule: EOP6.5-365**



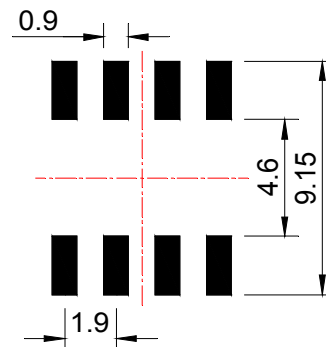
## 2. Connection



## 4. Structure of Products



## 3. Recommended Pad Layout (Unit:mm)



## 5. No of Turns & Wire Spec

No	No of Pin	Truns	Wire Spec
N1	8 - 6	6 TS	ø0.10mm*2P QPN 180
N2	7 - 5	6 TS	ø0.10mm*2P QPN 180
N3	1 - 3	6 TS	ø0.14mm*1P TIW-F
N4	2 - 4	6 TS	ø0.14mm*1P TIW-F
N5	8 - 6	6 TS	ø0.10mm*2P QPN 180
N6	7 - 5	6 TS	ø0.10mm*2P QPN 180

Semitel'S MODEL NO. :	EOP6.5-365	CUSTOMER'S MODEL NO. :	
VERSION:	A	CUSTOMER'S PART NO. :	
DATE:	2018-10-11		

## Product Specification

### 6. Electrical Characteristics

\*Operation temperature: -40°C~+85°C

Items	Winding	Specifications	Test Conditions
Inductance	L(1-4) Tie(2-3)	10uH±10%	at 10KHz,0.1Vrms
LK-Inductance	LK(1-4) Tie(2-3,5-6-7-8)	250nH MAX.	at 100KHz,0.1Vrms
DCR	R(1-4) Tie(2-3)	500mΩ MAX.	at 25°C
	R(8-5) Tie(7-6)	800mΩ MAX.	
Interwinding Capacitance	C(1-8) Tie(1-2-3-4,5-6-7-8)	20pF MAX.	at 100KHz,0.1Vrms
THD	(1-4) to (8-5) Tie (2-3,6-7)	-70dB MAX	at 30KHz,3Vrms
Turns Ratio	(1-4):(8-5) Tie (2-3,6-7)	1:1;±2%	at 100KHz,0.1Vrms
Hi-Pot	Pri. to Sec.	1875VAC	0.5mA. 1SEC

### 7. Bill of Material

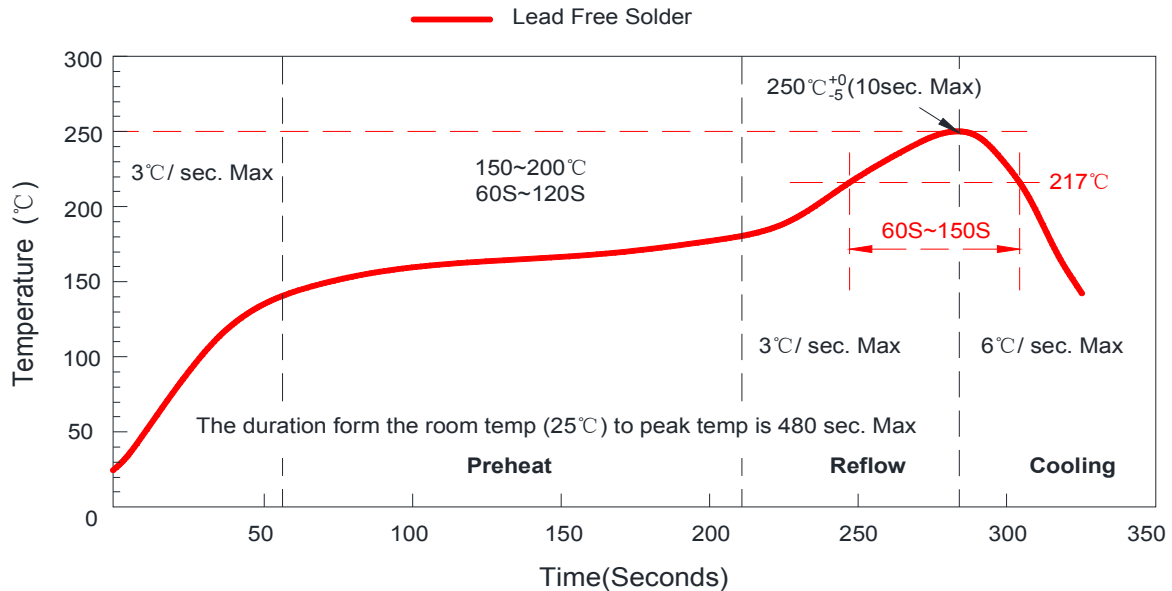
No	Items	Material Name	Manufacturer	UL File No	SGS File No
1	Core	Ferrite core A101	ACMEor Equivalent	NIL	CE/2017/A2987B
2	Bobbin	PM-9630	SUMITOMO (Sumidurez) or Equivalent	E41429	SHAEC1802754204
3	Wire	enamelled wire QPN 180	SUNTEK or Equivalent	E234867	A2180011364102E
4	Wire	Single layer and multilayer insulated wire TIW-FXX	FLUO-TECH or Equivalent	E488352	CANML1723506501
OR	Wire	Single layer and multilayer insulated wire FIW-F*	Yusheng or Equivalent	E332529	SHAEC1718738501
OR	Wire	Single layer and multilayer insulated wire E&B-XXXH-2*	E&B technology or Equivalent	E315265	ECL01J084046001E
5	Insulation tape	YELLOW COLOR 1350F-1(b)	3M or Equivalent	E17385	CE/2018/A2622
6	Polyimide Tape	Brown adhesive plastic 0.025mm V-0	RUNSEA (RAYITEK)or Equivalent	E339977	CANML1808714601
7	EPOXY	TH320	TIANHUAN or Equivalent	E257593	CANEC1719881801
8	EPOXY	EB-360	CHANGFENG or Equivalent	NIL	SHAEC1726002103
8	Solder	Lead free solder	HONGTAI or Equivalent	NIL	CANEC1812220901

Semitel'S MODEL NO. :	EOP6.5-365	CUSTOMER'S MODEL NO. :	
VERSION:	A	CUSTOMER'S PART NO. :	
DATE:	2018-10-11		

## Product Specification

### 8.Recommended Temperature Conditions of Air Reflow Soldering

Test Solderability Temperature Profile

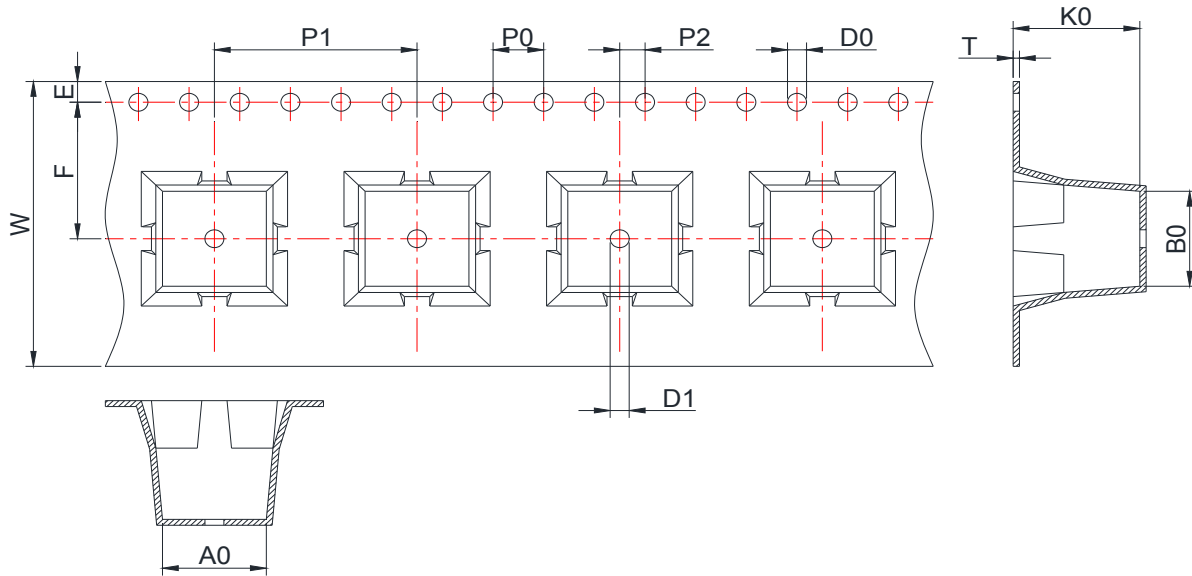


<b>Profile Feature</b>	
Average Ramp-Up Rate (T <sub>max</sub> to T <sub>p</sub> )	3°C/Second Max.
<b>Preheat</b>	
-Temperature Min. (T <sub>min</sub> )	150°C
-Temperature Max. (T <sub>max</sub> )	200°C
-Time (T <sub>min</sub> to T <sub>max</sub> )	60-120 Seconds
<b>Time maintained above:</b>	
-Temperature (T <sub>L</sub> )	217°C
-Time (T <sub>L</sub> )	60-150 Seconds
Peak/Classification Temperature (T <sub>p</sub> )	250°C
Time within 5°C of actual PeakTemperature (T <sub>p</sub> )	10 Seconds Max.
Ramp-Down Rate	6°C/Second Max.
Time 25°C to Peak Temperature	8 Minutes Max.

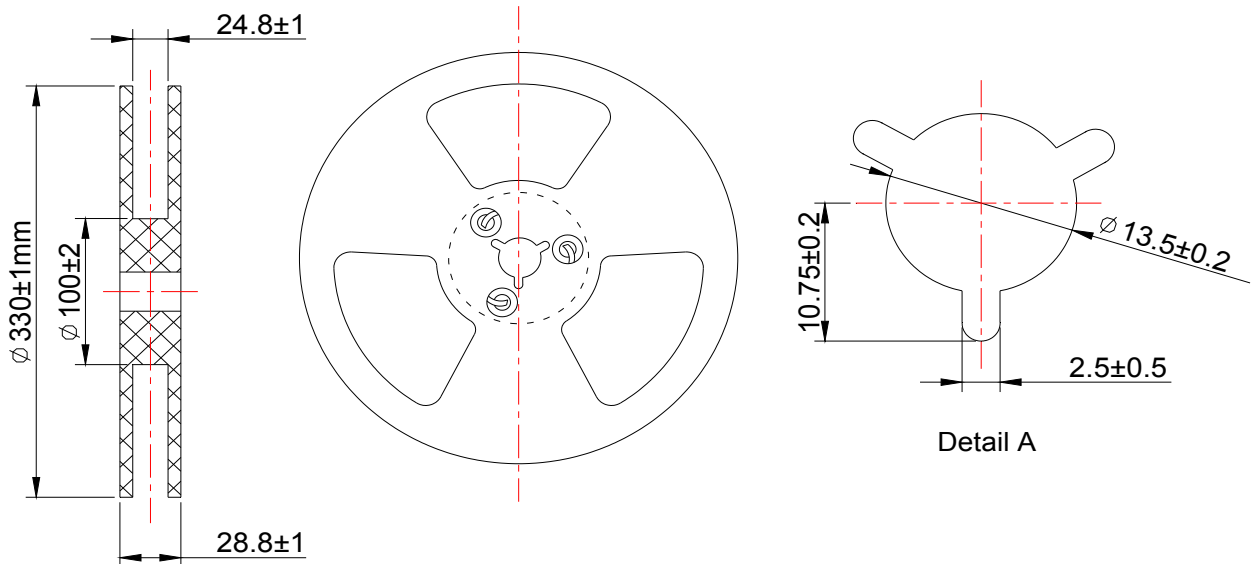
Semitel'S MODEL NO. :	EOP6.5-365	CUSTOMER'S MODEL NO. :	
VERSION:	A	CUSTOMER'S PART NO. :	
DATE:	2018-10-11		

# Product Specification

## 9. Tape Dimensions (Unit:mm)



Symbol	A0	B0	K0	P0	P1	P2
Spec	8.20±0.1	8.0±0.1	10.0±0.1	4.0±0.1	16.0±0.1	2.0±0.1
Symbol	W	T	E	F	D0	D1
Spec	24.0±0.3	0.5±0.05	1.75±0.1	11.5±0.1	$\phi 1.5^{+0.1}_0$	$\phi 1.5^{+0.1}_0$

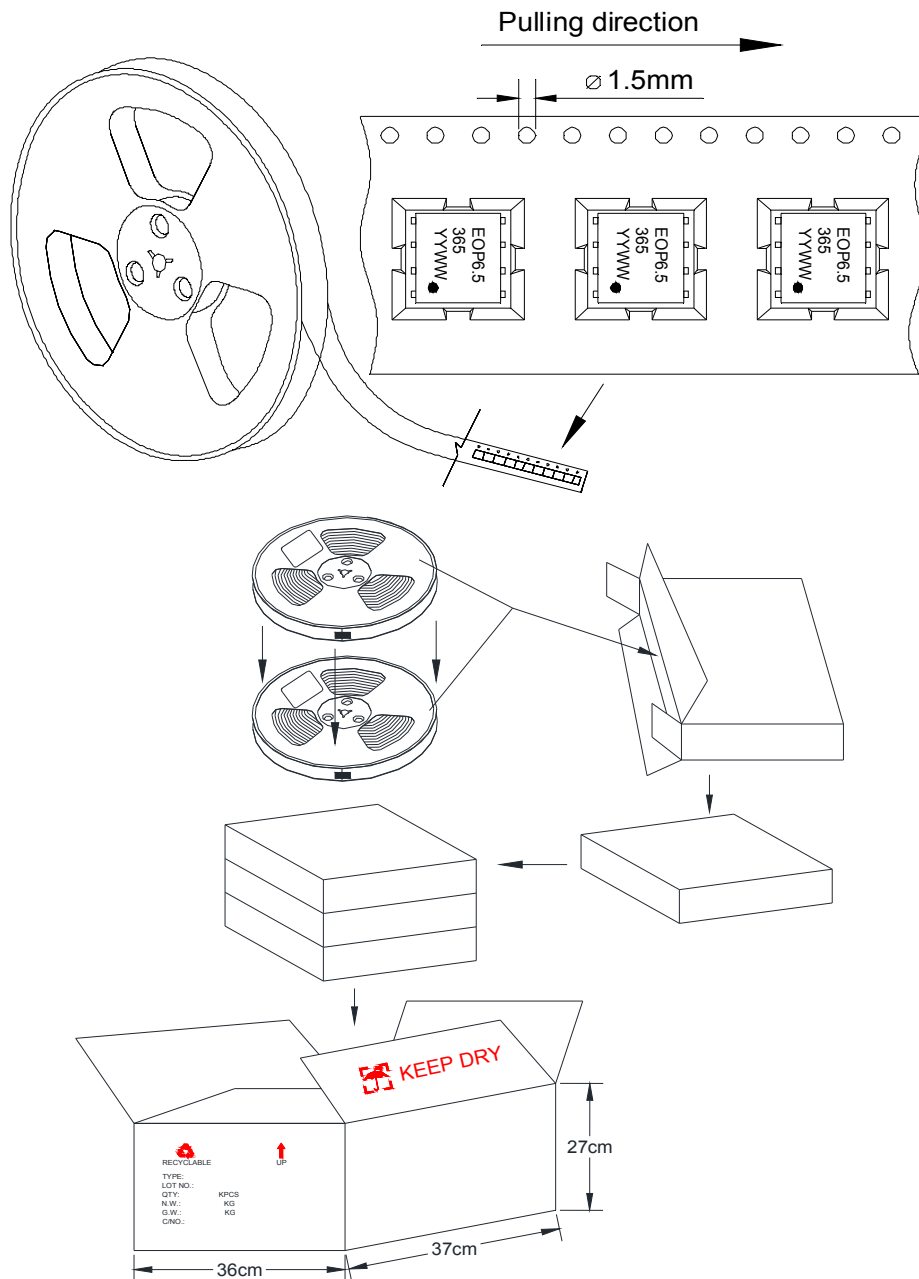


Semitel'S MODEL NO. :	EOP6.5-365	CUSTOMER'S MODEL NO. :	
VERSION:	A	CUSTOMER'S PART NO. :	
DATE:	2018-10-11		

## Product Specification

### 10.Packing Request

- \* Every roll of the carrier tape can contain 350pcs products.
- \*Every small packing box contains two rolls of carrier tape. Total quantity: 700pcs.
- \*Every carton box contains 3 small packing boxes. Total quantity: 2100pcs.



<b>Semitel'S MODEL NO. :</b>	<b>EOP6.5-365</b>	<b>CUSTOMER'S MODEL NO. :</b>	
<b>VERSION:</b>	<b>A</b>	<b>CUSTOMER'S PART NO. :</b>	
<b>DATE:</b>	<b>2018-10-11</b>		

## Test Report

Test Instruments								
	HP4284A	HP4284A	VR131		HP4284A	SYS2702A	HP4284A	CS2670A
NO	Inductance	LK-Inductance	DCR		Interwinding Capacitance	THD	Turns Ratio	Hi-Pot
	at 10KHz,0.1Vrms	at 100KHz,0.1Vrms	at 25°C	at 25°C	at 100KHz,0.1Vrms	at 30KHz,3Vrms	at 100KHz,0.1Vrms	0.5mA. 1SEC
	L(1-4) Tie(2-3)	LK(1-4) Tie(2-3,5-6-7-8)	R(1-4) Tie(2-3)	R(8-5) Tie(7-6)	C(1-8) Tie(1-2-3-4,5-6-7-8)	(1-4) to (8-5) Tie (2-3,6-7)	(1-4):(8-5) Tie (2-3,6-7)	Pri. to Sec.
	10uH±10%	250nH MAX.	500mΩ MAX.	800mΩ MAX.	20pF MAX.	-70dB MAX.	1:1;±2%	1875VAC
1	10.17	180.00	251.40	125.50	15.10	-81.30	PASS	PASS
2	10.16	170.00	257.60	134.70	15.30	-80.40	PASS	PASS
3	10.21	190.00	251.70	124.50	14.90	-80.90	PASS	PASS
4	10.21	200.00	257.60	132.70	14.90	-81.50	PASS	PASS
5	9.98	190.00	256.10	128.40	14.90	-81.30	PASS	PASS
MIN.	9.98	170.00	251.40	124.50	14.90	-81.50		
MAX.	10.21	200.00	257.60	134.70	15.30	-80.40		
AVG.	10.15	186.00	254.88	129.16	15.02	-81.08		
<b>Result</b>	<b>Passed</b>	<b>Passed</b>	<b>Passed</b>	<b>Passed</b>	<b>Passed</b>	<b>Passed</b>	<b>Passed</b>	<b>Passed</b>
<b>Overall Dimensions Test</b>				<b>Measurement Tools: Caliper (Unit:mm)</b>				
NO	A	B	C	D	E	F		
	8.3MAX.	8.5MAX.	10.5MAX.	0.4±0.1	1.9±0.3	5.7±0.3		
1	7.67	7.85	9.58	0.39	1.92	5.76		
2	7.69	7.82	9.58	0.39	1.93	5.70		
3	7.67	7.81	9.58	0.39	1.93	5.72		
4	7.65	7.83	9.58	0.40	1.94	5.72		
5	7.68	7.83	9.59	0.40	1.94	5.72		
MIN.	7.65	7.81	9.58	0.39	1.92	5.70		
MAX.	7.69	7.85	9.59	0.40	1.94	5.76		
AVG.	7.67	7.83	9.58	0.39	1.93	5.72		
<b>Result</b>	<b>Passed</b>	<b>Passed</b>	<b>Passed</b>	<b>Passed</b>	<b>Passed</b>	<b>Passed</b>		
<b>Semitel'S MODEL NO. :</b>	<b>EOP6.5-365</b>		<b>CUSTOMER'S MODEL NO. :</b>					
<b>VERSION:</b>	<b>A</b>		<b>CUSTOMER'S PART NO. :</b>					
<b>DATE:</b>	<b>2018-10-11</b>							